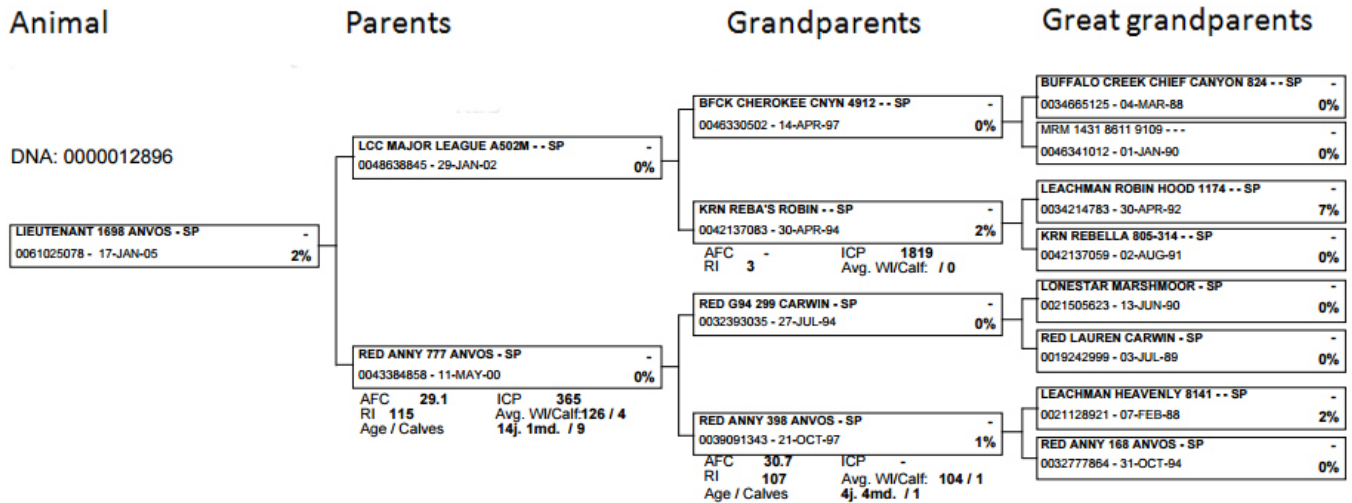


Explanation of catalogue

LOT: Lot number
 Ident.nr: Identification number (Herd + birth year + number)
 Section: SP = Studbook Proper
 Reg.number: SA Stud Book Registration number

Pedigree



AFC: Age at first calving
 ICP: Intercalving period
 RI: Reproduction index
 Avg. W/calf: Average Wean Index / Number of calves
 Age / Calves: Age of cow and number of calves

Selection value	CALVING EASE ☆☆☆		MILK ☆☆☆	CALF GRWTH ☆☆☆	MAINTENANCE ☆☆☆	GROWTH TEST					FERTILITY ☆☆☆			COW VALUE	GROWTH VALUE	PRODUCTION VALUE		
	103 ₇₃	93 ₅₈	99 ₇₀	98 ₂₄	ADG	Kleiber	FCR	Length	Height	SC	AFC	ICP	98 ₃₈					
Birth wght	102	105	93	99	97	102	102	102	-	102	105	105	72	105	☆☆☆	95 ₄₇	-	-
Birth Mat	.32 ₇₅	.02 ₅₇	-.3 ₅₈	2.4 ₇₀	4.4 ₆₃	10 ₂₄	95 ₁₄	23 ₁₄	-	25 ₁₇	15 ₁₉	13.8 ₂₀	22.3 ₅₆	-3 ₁₉	In Vitro	-	-	-
Weights/Index	31(8.6%)			160 (95)	166 (91)		-	-	-	-	-	-	-	-	Flushings/Embrios/Calves:	0/0/0		
Remarks:															Tests: -			
															Vacc. -			

EBV ind and EBV: Breeding Value Index and Breeding Value
 (EBVs are also expressed as easily interpretable Breeding Value Index)

Birth wght Birth Weight
 Birth Mat Birth Maternal
 Milk Milk
 Wean wght Weaning weight
 Postwean Post wean weight (12- and 18 mnths)
 Mat.wght Mature weight
 ADG Average daily gain (growth)
 Kleiber Kleiber ratio (efficient growth on veld)
 FCR Feed Conversion Ratio (kg feed/kg Weight gain)
 Length Body length
 Height Shoulder or hip height
 Scrotum Scrotum circumference
 AFC Age at first calf
 ICP Intercalving period

Logix Genetic Catalogue

The Selection Values in this catalogue indicate the genetic merit of the animals since all environmental effects have been removed. Selection Values are a combination of relevant breeding values and are based on animals that were scientifically measured according to international norms. Breeding values are estimated from performance of ancestors and progeny, as well as own performance.

It is easy to interpret Selection Values:

- Average of the live animals in the breed: 100
- Above 100: more desirable,
- Below 100: less desirable

Sub Value	What does an above breed average value (100) mean?
Calving Ease	Smaller calf at birth – easier calving
Milk	Cows / daughters with more milk and better mothering traits
Calf Growth	Heavier calf at wean due to growth ability of the calf itself.
Low Maintenance	Animals with lower maintenance requirements (lower mature weight EBVs).
Fertility	Cows / daughters that calve earlier and / or more regularly.

Selection Value	What does it measure?	Notes
Cow Value	Genetic merit to breed daughters that are fertile, calve easily, wean heavy calves, have lots of milk and low maintenance requirements.	Combination of the sub-values Calving Ease, Milk, Calf Growth, Maintenance and Fertility.
Growth Value	Bulls /Cows with genetic merit for growth and growth efficiency after weaning.	The animal's genetic merit for growth summarized in a single value.
Production Value	Combination of Cow Value and Growth Value.	Single value that summarizes the genetic merit of the animal.

Accuracy (Acc):

The amount of information available for breeding value estimation is indicated with an accuracy value (Acc). The accuracy is a value between 0 and 99. Younger animals have lower accuracies than older animals.

A combination of the following information is used to estimate the accuracy:

- **Parents:** Known or unknown; Accuracy of parents' breeding values.
- **Own measurement:** Animal is measured for trait, or genetically correlated trait

- **Progeny:** Number of progeny measured for trait or correlated traits

Wide interpretation of Acc:

Acc>80%: A lot of information, AI bull, many offspring

Acc>60%: Animal has measured progeny

Acc>30%: Animal measured

Acc <30%: Little information



SA
STUD BOOK



Star Grading	Selection Value
☆☆	<60
★	60-69
★★	70-79
★★	80-89
★★☆	90-99
★★★	100-109
★★★☆☆	110-119
★★★★	120-129
★★★★☆	130-139
★★★★★	>140

LOT 1

0474426, A.J. KRIEL, POSBUS 334, BOSHOF, 8340, (T)082-805 0926



Name Ident. number Sex Section Reg. number Birth Date
CASMAN **CHK 140034** **MALE** **SP** **0080592215** **17-NOV-14**

CHK K140034

DNA: -

CASMAN CHK 140034 - SP **P**
 0080592215 - 17-NOV-14 **8%**

CASMAN CHK 100138 - SP **P**
 0072214653 - 03-DEC-10 **3%**

CASMAN CHK 100025 - SP **P**
 0072097801 - 25-OCT-10 **8%**

AFC 37.1 ICP 371
 RI 105 Avg. Wt/Calf: 105 / 4
 Age / Calves 7j. 3md. / 5

NONNIE CR 030069 - SP **-**
 0047594817 - 10-SEP-03 **9%**

CASMAN CHK 070251 - SP **P**
 0065567828 - 09-NOV-07 **4%**

AFC 36.8 ICP 366
 RI 109 Avg. Wt/Calf: 98 / 4
 Age / Calves 10j. 2md. / 8

CASMAN CHK 060026 - SP **P**
 0063234645 - 27-SEP-06 **5%**

CASMAN CHK 070246 - SP **P**
 0065567810 - 07-NOV-07 **4%**

AFC 35.6 ICP 374
 RI 107 Avg. Wt/Calf: 90 / 3
 Age / Calves 10j. 2md. / 6

NONNIE CR 980030 - SP **-**
 0040477556 - 18-AUG-98 **5%**

NONNIE CR 920015 - SP **-**
 0027023688 - 31-AUG-92 **0%**

MEGA M 020016 - SP **-**
 0046944336 - 05-SEP-02 **10%**

CASMAN CHK 020100 - B **P**
 0046621637 - 14-OCT-02 **0%**

MEGA M 030011 - SP **P**
 0048821276 - 25-AUG-03 **5%**

CASMAN CHK 950063 - B **-**
 0040579021 - 15-NOV-95 **2%**

MEGA M 020016 - SP **-**
 0046944336 - 05-SEP-02 **10%**

CASMAN CHK 990094 - B **-**
 0042942847 - 03-DEC-99 **0%**

Selection value	CALVING EASE ☆☆☆		MILK ☆☆☆		CALF GRWTH. ☆☆☆		MAINTENANCE ☆☆			GROWTH TEST					FERTILITY ☆☆			COW VALUE	GROWTH VALUE	PRODUCTION VALUE
	99 ₂₀	99 ₄₆	105 ₇₀	89 ₁₆						SC	AFC	ICP	☆☆☆							
Birth wght	Birth Mat	Milk	Wean wght	Post wean	Mature wght	ADG	Kleiber	FCR	Length	Height	SC	AFC	ICP	☆☆☆						
97	108	99	105	106	111	-	-	-	-	-	-	64	93	☆☆☆	97 ₃₆	-	-			
Breeding value index	.99 ₂₀	-.16 ₁₇	1.8 ₄₆	6.2 ₇₀	10.8 ₅₈	20 ₁₆	-	-	-	-	-	27.5 ₃₆	-2 ₁₁							
Breeding value																				
Weights/Index			191 (108)	206(109)	330(109)															
Remarks:	Donkerrooi, poenskop													Semen donor: No Tests: Vrugbaarheid, BM, TB, Trich						
														Vacc. Knopvel, Slenkdal - Maart 2017. Botuthrax, Hiprabovis 4						

LOT 2

0615363, DONKERHOEK BOERDERY TRUST, POSBUS 40, BRITSTOWN, 8782, (T)083-468 6176



Naam Ident. nommer Geslag Afdeling Reg. nommer Geboorte Datum
DONKERHOEK **DKH 150273** **MANLIK** **SP** **0083147744** **04-NOV-15**

DKH150273

DNS: 0000340416

DONKERHOEK DKH 150273 - SP **-**
 0083147744 - 04-NOV-15 **6%**

ALPHA OMEGA AM 100112 - SP **P**
 0072461650 - 09-NOV-10 **6%**

AMELIA V 120055 - SP **P**
 0076195155 - 05-OCT-12 **5%**

OEK 37 TKP 381
 RI 99 Gem SI/Kalf: 105 / 2
 Oud. / Kalwers 5j. 3md. / 3

RITS W 060015 - SP **SC**
 0063234785 - 20-AUG-06 **9%**

ALPHA OMEGA AM 060010 - SP **PP**
 0063872147 - 19-SEP-06 **4%**

OEK 26.6 TKP 369
 RI 116 Gem SI/Kalf: 93 / 6
 Oud. / Kalwers 11j. 4md. / 9

AMELIA V 060044 - SP **P**
 0064027998 - 01-SEP-06 **4%**

AMELIA V 090074 - B **P**
 0070425756 - 31-OCT-09 **3%**

OEK 35.2 TKP 412
 RI 101 Gem SI/Kalf: 87 / 3
 Oud. / Kalwers 8j. 2md. / 5

LARYN JM 960055 - SP **-**
 0037249547 - 10-NOV-96 **7%**

RITS W 950003 - SP **-**
 0038159307 - 27-NOV-95 **7%**

GENERAALS DRAAI H 030073 - SP **-**
 0048220503 - 23-OCT-03 **8%**

ALPHA OMEGA AM 030006 - B **-**
 0062425053 - 15-JUL-03 **0%**

NONNIE CR 030111 - SP **P**
 0048363642 - 11-DEC-03 **6%**

AMELIA V 030121 - B **P**
 0049983307 - 02-NOV-03 **2%**

ALPHA OMEGA AM 060041 - SP **PH**
 0064024003 - 05-DEC-06 **9%**

AMELIA V 020111 - A **SC**
 0049984198 - 13-NOV-02 **1%**

Seleksie waarde	KALF GEMAK ☆☆☆		MELK ☆☆☆		KALFGROEI ☆☆☆		ONDERHOUD ☆☆☆			GROEI TOETS					VRUGBAARHEID ☆☆☆			KOEI WAARDE	GROEI WAARDE	PRODUKSIE WAARDE
	99 ₇₁	92 ₄₄	103 ₇₁	93 ₂₅						GDT	Kleiber	VOV	Lengte	Hoogte	SO	OEK	TKP			
Geb gew	Geb Mat	Melk	Speen gew	Naspeen	Volw. gewig	GDT	Kleiber	VOV	Lengte	Hoogte	SO	OEK	TKP	☆☆☆						
99	98	92	103	106	107	96	87	-	104	89	95	113	108	☆☆☆	97 ₄₁	101 ₃₆	97 ₄₀			
.81 ₇₄	.21 ₄₃	-.4 ₄₄	5.4 ₇₁	10.8 ₆₁	16 ₂₅	85 ₃₄	8 ₃₄	-	29 ₃₉	7 ₄₁	10.6 ₄₀	12.5 ₃₄	-3.7 ₁₆							
Gewig/Index			204 (97)	240 (98)	322 (97)															
Opmerkings:	Geel, poenskop, bul met baie goeie balans													Semen skenker: Nee Toetse: Vrugbaarheid, BM, TB, Trich						
														Inent. Supavax, Lumpyvax, Slenkdal						

LOT 3

0480068, M. VAN NIEKERK, POSBUS 110259, HADISON PARK, 8306, (T)0832698443



Name Ident. number Sex Section Reg. number Birth Date
GANNA GA 150448 MALE B 0081598716 18-FEB-15

GA 150448

DNA: -

GANNA GA 150448 - B P
 0081598716 - 18-FEB-15 0%

ALPHA OMEGA AM 080051 - SP -
 0067758946 - 29-OCT-08 4%

RITS W 991232 - SP P
 0043309285 - 31-DEC-99 11%

NONNIE CR 020058 - B P
 0046637880 - 15-OCT-02 4%

AFC 25.8 ICP 362
 RI 118 Avg. Wt/Calf: 98 / 10
 Age / Calves 13j. 5md. / 12

GANNA GA 110648 - A -
 0075451518 - 15-OCT-11 0%

AFC - ICP 342
 RI 121 Avg. Wt/Calf: 100 / 4
 Age / Calves 6j. 3md. / 5

SIGIDI HKL 950022 - SP -
 0038230934 - 02-NOV-95 19%

RITS W 960071 - SP -
 0038159448 - 30-JUN-96 6%

ZW BOOMERANG BG 960092 - SP -
 0043293224 - 30-OCT-96 9%

BUROWILL ASE 990019 - A -
 0042300368 - 14-JUN-99 0%

---- -
 --- -%

---- -
 --- -%

---- -
 --- -%

---- -
 --- -%

Avg. Wt/Calf: -

Selection value	CALVING EASE		MILK	CALF GRWTH.	MAINTENANCE	GROWTH TEST					FERTILITY			COW VALUE	GROWTH VALUE	PRODUCTION VALUE	
	★★★	★★★	★★★	★★★	★★★	ADG	Kleiber	FCR	Length	Height	SC	AFC	ICP				
	112 ₇₁	94 ₄₆	94 ₄₉	100 ₂₂								95 ₂₆					
Breeding value index	112	101	94	94	93	100	94	89	-	94	88	85	106	93	99 ₃₆	96 ₃₁	98 ₃₅
Breeding value	-.24 ₇₃	.1 ₅₁	.3 ₄₆	1.8 ₄₉	3.8 ₂₈	9 ₂₂	78 ₂₉	10 ₂₉	-	20 ₃₃	6 ₃₅	6.2 ₃₄	-6.7 ₃₅	-3 ₁₆			
Weights/Index	34			198 (100)	-	- (-)											
Remarks:	Poenskop, Ligrooi													Semen donor: No Tests: Vrugaarheid, BM, TB, Trich Vacc. Supavax, Respiravax			

LOT 4

0615363, DONKERHOEK BOERDERY TRUST, POSBUS 40, BRITSTOWN, 8782, (T)083-468 6176



Naam Ident. nommer Geslag Afdeling Reg. nommer Geboorte Datum
DONKERHOEK DKH 150289 MANLIK SP 0083135764 11-NOV-15

DKH150289

DNS: -

DONKERHOEK DKH 150289 - SP -
 0083135764 - 11-NOV-15 7%

DONKERHOEK DKH 120064 - SP P
 0076081157 - 12-SEP-12 6%

BARDEE D 090017 - SP P
 0069767366 - 08-NOV-09 6%

DONKERHOEK DKH 090014 - SP P
 0069824464 - 13-OCT-09 7%

OEK 35 TKP 380
 RI 106 Gem SI/Kalf: 105 / 5
 Oud. / Kalwers 8j. 3md. / 5

DONKERHOEK DKH 090016 - SP H
 0069824472 - 27-OCT-09 6%

OEK 35 TKP 382
 RI 106 Gem SI/Kalf: 97 / 5
 Oud. / Kalwers 8j. 2md. / 5

NONNIE CR 010015 - SP P
 0044826162 - 25-JUL-01 12%

GENERAALSDRAAI H 060095 - SP P
 0063667711 - 12-DEC-06 3%

OEK 34.5 TKP -
 RI 95 Gem SI/Kalf: 93 / 1
 Oud. / Kalwers 4j. 5md. / 1

BUROWILL ASE 010040 - SP -
 0045265808 - 04-OCT-01 8%

LARYN JM 000032 - SP -
 0043913755 - 02-NOV-00 8%

GENERAALSDRAAI H 050089 - SP P
 0062490305 - 11-NOV-05 4%

GENERAALSDRAAI H 000022 - SP -
 0044398493 - 04-OCT-00 7%

NONNIE CR 960004 - SP -
 0036882744 - 29-JUL-96 7%

NONNIE CR 960001 - SP -
 0035540202 - 20-MAR-96 6%

GENERAALSDRAAI H 030011 - SP -
 0047197751 - 11-MAY-03 6%

GENERAALSDRAAI H 990043 - B -
 0042774810 - 14-OCT-99 0%

Seleksie waarde	KALF GEMAK		MELK	KALFGROEI	ONDERHOUD	GROEI TOETS					VRUGBAARHEID			KOEI WAARDE	GROEI WAARDE	PRODUKSIE WAARDE
	★★★	★★★	★★★	★★★	★★★	GDT	Kleiber	VOV	Lengte	Hoogte	SO	OEK	TKP			
	96 ₇₁	93 ₄₇	110 ₇₂	99 ₂₃								121 ₂₆				
Teeltwaarde index	98	90	93	110	101	94	85	-	100	99	116	112	119	106 ₄₂	100 ₅₈	105 ₄₅
Teeltwaarde	.95 ₇₄	.49 ₄₅	-.2 ₄₇	8 ₇₂	13 ₅₄	10 ₂₃	80 ₅₂	5 ₅₂	-	25 ₆₂	13 ₆₆	19.9 ₆₄	11.5 ₃₅	-6 ₁₇		
Gewig/Indexe	35			183 (103)	-	- (-)				107.3	-	1325	1166	321		
Opmerkings:	Donkerrooi, poenskop, bul met goeie diepte en balans													Semen skenker: Nee Toetse: Vrugaarheid, BM, TB, Trich Inent. Supavax, Lumpyvax, Slenkdal		

LOT 5

0474426, A.J. KRIEL, POSBUS 334, BOSHOF, 8340, (T)082-805 0926



Name Ident. number Sex Section Reg. number Birth Date
CASMAN **CHK 130081** **MALE** **SP** **0078679644** **30-NOV-13**

CHK C130081

DNA: -

CASMAN CHK 130081 - SP **P**
 0078679644 - 30-NOV-13 **3%**

NONNIE CR 030069 - SP **-**
 0047594817 - 10-SEP-03 **9%**

NONNIE CR 980030 - SP **-**
 0040477556 - 18-AUG-98 **5%**

NONNIE CR 950008 - SP **-**
 0034205328 - 26-AUG-95 **7%**
LANGLYF AJR 870033 - SP **-**
 0014952352 - 14-OCT-87 **0%**

NONNIE CR 920015 - SP **-**
 0027023688 - 31-AUG-92 **0%**

LANGLYF AJR 890029 - SP **-**
 0020087722 - 08-SEP-89 **1%**

AFC 25.1 ICP 425
RI 105 Avg. Wt/Calv: 101 / 12
Age / Calves 18j. 6md. / 15

ZW KOCE HT 800017 - SP **-**
 0006617500 - 02-NOV-80 **0%**

CASMAN CHK 060026 - SP **P**
 0063234645 - 27-SEP-06 **5%**

MEGA M 030011 - SP **P**
 0048821276 - 25-AUG-03 **5%**

CASMAN CHK 100085 - B **P**
 0072098114 - 10-NOV-10 **8%**

CASMAN CHK 950063 - B **-**
 0040579021 - 15-NOV-95 **2%**

AFC 36.7 ICP 362
RI 107 Avg. Wt/Calv: 97 / 3
Age / Calves 7j. 2md. / 5

CASMAN CHK 000077 - A **-**
 0048487250 - 10-NOV-00 **0%**

BILTONG GCB 910006 - SP **-**
 0025193194 - 08-NOV-91 **1%**

AFC - ICP 412
RI 105 Avg. Wt/Calv: / 0
Age / Calves 11j. 7md. / 8

---- **-**
--- **-9%**

Selection value	CALVING EASE		MILK		CALF GRWTH.		MAINTENANCE			GROWTH TEST					FERTILITY			COW VALUE	GROWTH VALUE	PRODUCTION VALUE
	★★	★★★	★★★	★★★	★★★	★★★	★★	ADG	Kleiber	FCR	Length	Height	SC	AFC	ICP	★★★				
	88 ₄₈	102 ₅₈	118 ₇₁	77 ₂₇											61 ₃₈	95 ₄₇	-	-		
Birth wght	Birth Mat	Milk	Wean wght	Post wean	Mature wght															
88	99	102	118	120	123	124	122	-	119	119	115	61	71	★★★						
1.79 ₄₈	.16 ₄₆	2.5 ₅₈	10.9 ₇₁	18.4 ₆₁	33 ₂₇	172 ₁₅	52 ₁₅	-	42 ₁₉	24 ₂₀	19.5 ₂₁	30 ₄₉	4.5 ₂₈							
Weights/Index			216 (99)	259(109)	390(113)															
Remarks:	Donkerrrooi, poenskop															Semen donor: No Tests: Vrugaarheid, BM, TB, Trich				
																Vacc. Knopvel, Slenkdal - Maart 2017. Botuthrax, Hiprabovis 4				

LOT 6

0615363, DONKERHOEK BOERDERY TRUST, POSBUS 40, BRITSTOWN, 8782, (T)083-468 6176



Naam Ident. nommer Geslag Afdeling Reg. nommer Geboorte Datum
DONKERHOEK **DKH 150315** **MANLIK** **SP** **0083147736** **07-DEC-15**

DKH150315

DNS: 0000340419

DONKERHOEK DKH 150315 - SP **-**
 0083147736 - 07-DEC-15 **8%**

ALPHA OMEGA AM 100112 - SP **P**
 0072461650 - 09-NOV-10 **6%**

RITS W 060015 - SP **SC**
 0063234785 - 20-AUG-06 **9%**

LARYN JM 960055 - SP **-**
 0037249547 - 10-NOV-96 **7%**
RITS W 950003 - SP **-**
 0038159307 - 27-NOV-95 **7%**

ALPHA OMEGA AM 060010 - SP **PP**
 0063872147 - 19-SEP-06 **4%**

GENERAALSDRAAI H 030073 - SP **-**
 0048220503 - 23-OCT-03 **8%**

OEK 26.6 TKP 369
RI 116 Gem SI/Kalf: 93 / 6
Oud. / Kalwers 11j. 4md. / 9

ALPHA OMEGA AM 030006 - B **-**
 0062425053 - 15-JUL-03 **0%**

RITS W 050021 - SP **PP**
 0061914347 - 01-OCT-05 **8%**

HEWAPO HWP 980057 - SP **-**
 0043372887 - 04-DEC-98 **10%**

AMELIA V 100081 - SP **P**
 0075205138 - 30-OCT-10 **4%**

RITS W 960091 - SP **-**
 0038159489 - 21-SEP-96 **7%**

OEK 34.5 TKP 375
RI 107 Gem SI/Kalf: 102 / 4
Oud. / Kalwers 7j. 2md. / 5

AMELIA V 070116 - SP **SC**
 0066390246 - 13-NOV-07 **3%**

NONNIE CR 030111 - SP **P**
 0048363642 - 11-DEC-03 **6%**

OEK 35.5 TKP 403
RI 103 Gem SI/Kalf: 105 / 3
Oud. / Kalwers 10j. 2md. / 6

AMELIA V 990050 - A **-**
 0049708761 - 06-APR-99 **0%**

Seleksie waarde	KALF GEMAK		MELK		KALFGROEI		ONDERHOUD			GROEI TOETS					VRUGBAARHEID			KOEI WAARDE	GROEI WAARDE	PRODUKSIE WAARDE
	★	★★	★★★	★★★	★★★	★★★	★★	GDT	Kleiber	VOV	Lengte	Hoogte	SO	OEK	TKP	★★★				
	68 ₇₂	86 ₄₇	91 ₄₇	124 ₇₂	87 ₂₅										102 ₂₅	86 ₄₂	118 ₃₆	91 ₄₁		
Geb gew	Geb Mat	Melk	Speen gew	Naspeen	Volw. gewig															
70	86	91	124	122	113	109	94	-	119	103	112	94	104	★★						
3.3 ₇₅	.62 ₄₇	-.7 ₄₇	13.3 ₇₂	19.3 ₆₀	23 ₂₅	124 ₃₃	16 ₃₃	-	42 ₃₈	15 ₄₀	18.1 ₄₀	3.6 ₃₃	-2.8 ₁₇							
Gewig/Index			234 (107)	252 (98)	326 (95)															
Opmerkings:	Geel, poenskop, bul met baie goeie balans															Semen skenker: Nee Toetse: Vrugaarheid, BM, TB, Trich				
																Inent. Supavax, Lumpyvax, Slenkdal				

LOT 7

0480068, M. VAN NIEKERK, POSBUS 110259, HADISON PARK, 8306, (T)0832698443



Name Ident. number Sex Section Reg. number Birth Date
GANNA GA 140430 MALE SP 0081116758 22-DEC-14

GA 140430

DNA: -

GANNA GA 140430 - SP P
 0081116758 - 22-DEC-14 7%

NONNIE CR 070034 - SP P
 0064821648 - 28-JUN-07 8%

LANGLYF R 040037 - SP SC
 0049771645 - 03-SEP-04 6%

LANGLYF R 010014 - SP -
 0045469970 - 22-AUG-01 5%

LANGLYF R 990008 - SP -
 0042678433 - 24-AUG-99 5%

NONNIE CR 050004 - SP -
 0049585979 - 26-JAN-05 15%

NONNIE CR 960004 - SP -
 0036882744 - 29-JUL-96 7%

NONNIE CR 020054 - SP SC
 0046637781 - 10-OCT-02 11%

AFC 29 ICP 442
 RI 103 Avg. Wt/Calf: 94 / 5
 Age / Calves 8j. 11md. / 6

- WF 040005 - SP P
 0049728082 - 20-AUG-04 5%

NONNIE CR 980030 - SP -
 0040477556 - 18-AUG-98 5%

NONNIE CR 970007 - SP -
 0038752150 - 12-AUG-97 5%

WEST FRONT WF 080081 - B SC
 0067873810 - 20-NOV-08 5%

AFC 31.5 ICP 386
 RI 109 Avg. Wt/Calf: 96 / 4
 Age / Calves 9j. 2md. / 7

NONNIE CR 010032 - SP SC
 0045174513 - 23-AUG-01 7%

WEST FRONT WF 050006 - A -
 0061781126 - 24-JUL-05 0%

AFC 27.4 ICP 406
 RI 109 Avg. Wt/Calf: 107 / 6
 Age / Calves 12j. 6md. / 10

FORDOUN FT 940031 - A -
 0040237877 - 20-AUG-94 0%

Selection value	CALVING EASE ★★		MILK ★★		CALF GRWTH. ★★★★		MAINTENANCE ★★☆		GROWTH TEST					FERTILITY ★★★			COW VALUE	GROWTH VALUE	PRODUCTION VALUE
	89 ₇₂		84 ₄₇		120 ₇₁		95 ₁₂		ADG	Kleiber	FCR	Length	Height	SC	AFC	ICP			
Birth wght	Birth Mat	Milk	Wean wght	Post wean	Mature wght														
87	111	84	120	120	105	-	-	-	-	-	103	109	109	80	115	★★★	98 ₃₉	-	-
1.84 ₇₄	-0.27 ₄₉	-2.7 ₄₇	11.5 ₇₁	18.5 ₃₀	14 ₁₂	-	-	-	-	-	28 ₁₀	19 ₁₃	16.6 ₁₃	14.5 ₃₈	-5.3 ₁₄				
42			253 (99)	-	- (-)														
Remarks: Poenskop, rooi																Semen donor: No Tests: Vrugbaarheid, BM, TB, Trich Vacc. Supavax, Respiravax			

LOT 8

0615363, DONKERHOEK BOERDERY TRUST, POSBUS 40, BRITSTOWN, 8782, (T)083-468 6176



Naam Ident. nommer Geslag Afdeling Reg. nommer Geboorte Datum
DONKERHOEK DKH 150322 MANLIK SP 0083147710 26-DEC-15

DKH150322

DNS: -

DONKERHOEK DKH 150322 - SP -
 0083147710 - 26-DEC-15 5%

ALPHA OMEGA AM 100112 - SP P
 0072461650 - 09-NOV-10 6%

RITS W 060015 - SP SC
 0063234785 - 20-AUG-06 9%

LARYN JM 960055 - SP -
 0037249547 - 10-NOV-96 7%

RITS W 950003 - SP -
 0038159307 - 27-NOV-95 7%

ALPHA OMEGA AM 060010 - SP PP
 0063872147 - 19-SEP-06 4%

GENERAALSDRAAI H 030073 - SP -
 0048220503 - 23-OCT-03 8%

ALPHA OMEGA AM 030006 - B -
 0062425053 - 15-JUL-03 0%

BUROWILL ASE 010040 - SP -
 0045265808 - 04-OCT-01 8%

ZW BOOMERANG BG 960092 - SP -
 0043293224 - 30-OCT-96 9%

BLOMVLEI SW 980050 - SP -
 0041414244 - 15-NOV-98 6%

GREAT KAROO XY 090074 - SP P
 0070372222 - 30-NOV-09 5%

OEK 32.5 TKP 428
 RI 102 Gem SI/Kalf: 103 / 5
 Oud. / Kalwers 8j. 1md. / 5

GENERAALSDRAAI H 990010 - SP -
 0042305003 - 07-SEP-99 4%

NONNIE CR 920018 - SP -
 0027023704 - 14-OCT-92 3%

- J 911551 - SP -
 0033822271 - 23-JUN-91 3%

OEK 27.7 TKP 441
 RI 102 Gem SI/Kalf: 105 / 5
 Oud. / Kalwers 14j. 7md. / 10

Seleksie waarde	KALF GEMAK ★★☆		MELK ★★☆		KALFGROEI ★★★★		ONDERHOUD ★★☆		GROEI TOETS					VRUGBAARHEID ★★☆			KOEI WAARDE	GROEI WAARDE	PRODUKSIE WAARDE
	94 ₇₂		90 ₄₉		128 ₅₉		92 ₂₃		GDT	Kleiber	VOV	Lengte	Hoogte	SO	OEK	TKP			
Geb gew	Geb Mat	Melk	Speen gew	Naspeen	Volw. gewig														
95	95	90	128	125	108	110	95	-	-	-	118	106	113	102	97	114 ₄₀	117 ₆₂	115 ₄₄	
1.17 ₇₅	.32 ₄₉	-8.4 ₄₉	14.5 ₅₉	21.3 ₅₆	17.2 ₃	127 ₅₇	18 ₅₇	-	-	-	41 ₆₅	17 ₆₉	18.7 ₆₇	-2.8 ₄₀	-1.2 ₂₀				
36			189 (100)	-	- (-)						108.1	-	1349	1196	313				
Opmerkings: Geel, poenskop, bul met baie goeie teelwaarde indeks op speen, was ook 3de beste op plaasgroei toets																Semen skenker: Nee Toetse: Vrugbaarheid, BM, TB, Trich Inent. Supavax, Lumpyvax, Slenkdal			

LOT 9

0474426, A.J. KRIEL, POSBUS 334, BOSHOF, 8340, (T)082-805 0926



Name Ident. number Sex Section Reg. number Birth Date
CASMAN CHK 130104 MALE SP 0078885522 09-DEC-13

CHK C130104

DNA: -

CASMAN CHK 130104 - SP SC
 0078885522 - 09-DEC-13 3%

NONNIE CR 030069 - SP -
 0047594817 - 10-SEP-03 9%

NONNIE CR 980030 - SP -
 0040477556 - 18-AUG-98 5%

NONNIE CR 920015 - SP -
 0027023688 - 31-AUG-92 0%

AFC 25.1 ICP 425
 RI 105 Avg. Wt/Calv: 101 / 12
 Age / Calves 18j. 6md. / 15

CASMAN CHK 060026 - SP P
 0063234645 - 27-SEP-06 5%

CASMAN CHK 100119 - B P
 0072097975 - 25-NOV-10 4%

AFC 36.5 ICP 483
 RI 89 Avg. Wt/Calv: 95 / 3
 Age / Calves 7j. 2md. / 4

CASMAN CHK 010032 - A -
 0062942164 - 01-JUN-01 0%

AFC - ICP 367
 RI 116 Avg. Wt/Calv: / 0
 Age / Calves 16j. 7md. / 8

NONNIE CR 950008 - SP -
 0034205328 - 26-AUG-95 7%

LANGLYF AJR 870033 - SP -
 0014952352 - 14-OCT-87 0%

LANGLYF AJR 890029 - SP -
 0020087722 - 08-SEP-89 1%

ZW KOCE HT 800017 - SP -
 0006617500 - 02-NOV-80 0%

MEGA M 030011 - SP P
 0048821276 - 25-AUG-03 5%

CASMAN CHK 950063 - B -
 0040579021 - 15-NOV-95 2%

LARYN JM 920008 - SP -
 0026537142 - 02-SEP-92 6%

--- -
 --- -

Selection value	CALVING EASE ☆☆☆		MILK ☆☆☆		CALF GRWTH. ☆☆☆		MAINTENANCE ☆☆☆			GROWTH TEST					FERTILITY ☆			COW VALUE ☆☆	GROWTH VALUE ☆☆☆	PRODUCTION VALUE ☆☆☆
	95 ₄₉	94 ₅₈	109 ₇₁	91 ₃₁	ADG	Kleiber	FCR	Length	Height	SC	AFC	ICP	49 ₄₀							
Birth wght	101	94	109	104	109	114	115	-	110	114	113	56	60	88 ₄₉	109 ₂₀	91 ₄₃				
Birth Mat	.09 ₄₇	.2 ₅₈	7.5 ₇₁	9.5 ₆₁	19 ₃₁	142 ₁₈	43 ₁₈	-	34 ₂₁	21 ₂₃	18.7 ₂₃	33.9 ₄₉	7.1 ₃₀							
Milk			215 (105)	238 (99)	333 (95)															
Remarks:	Donkerrooi, scurs															Semen donor: No Tests: Vrugbaarheid, BM, TB, Trich				
																Vacc. Knopvel, Slenkdal - Maart 2017. Botuthrax, Hiprabovis 4				

LOT 10

0615363, DONKERHOEK BOERDERY TRUST, POSBUS 40, BRITSTOWN, 8782, (T)083-468 6176



Naam Ident. nommer Geslag Afdeling Reg. nommer Geboorte Datum
DONKERHOEK DKH 150269 MANLIK SP 0083135459 09-NOV-15

DKH150269

DNS: U340414

DONKERHOEK DKH 150269 - SP SC
 0083135459 - 09-NOV-15 4%

ALPHA OMEGA AM 090038 - SP P
 0069754760 - 01-OCT-09 7%

HBH HBH 060976 - SP P
 0063656318 - 27-SEP-06 4%

ALPHA OMEGA AM 060042 - SP P
 0064024011 - 11-DEC-06 23%

OEK 33.7 TKP -
 RI 98 Gem SI/Kalf: 107 / 1
 Oud. / Kalwers 4j. 6md. / 1

BLOMVLEI SW 990015 - SP -
 0042452524 - 28-SEP-99 3%

GREAT KAROO XY 060006 - B -
 0062419718 - 06-JAN-06 2%

OEK 27 TKP 396
 RI 111 Gem SI/Kalf: 91 / 7
 Oud. / Kalwers 10j. 2md. / 8

GREAT KAROO XY 030020 - A -
 0047962535 - 07-OCT-03 0%

OEK 27 TKP 333
 RI 121 Gem SI/Kalf: 105 / 3
 Oud. / Kalwers 4j. 9md. / 3

NONNIE CR 010028 - SP P
 0044861573 - 13-AUG-01 5%

HBH HBH 020664 - B -
 0046849758 - 19-OCT-02 2%

HEWAPO HWP 990250 - SP -
 0043380245 - 10-NOV-99 8%

ALPHA OMEGA AM 030002 - SP H
 0062421367 - 02-JUL-03 25%

ZW BOOMERANG BG 920001 - SP -
 0034054650 - 11-NOV-92 7%

BLOMVLEI SW 960007 - SP -
 0037212727 - 27-OCT-96 4%

--- MS -
 0135431206 - 01-JAN-40 -%

BILTONG GCB 000009 - SP -
 0043913581 - 03-OCT-00 13%

Seleksie waarde	KALF GEMAK ☆☆☆		MELK ☆☆		KALFGROEI ☆☆☆		ONDERHOUD ☆☆			GROEI TOETS					VRUGBAARHEID ☆☆			KOEI WAARDE ☆☆☆	GROEI WAARDE ☆☆☆☆	PRODUKSIE WAARDE ☆☆☆
	108 ₇₃	80 ₅₀	110 ₇₂	84 ₂₄	GDT	Kleiber	VOV	Lengte	Hoogte	SO	OEK	TKP	88 ₂₉							
Geb gew	94	80	110	120	116	101	106	-	97	102	96	91	90	96 ₄₃	113 ₃₈	98 ₄₂				
Geb Mat	.02 ₇₅	.34 ₅₂	-3.9 ₅₀	8.1 ₇₂	18.2 ₆₂	27 ₂₄	102 ₃₆	31 ₃₆	-	23 ₄₀	14 ₄₂	11 ₄₁	6.1 ₃₉	11.41	6.1 ₃₉	3.19				
Melk			206 (100)	266 (112)	349 (108)															
Teeltwaarde index																				
Teeltwaarde																				
Gewig/Indeks																				
Opmerkings:	Dugga, scurs, effens groter raam, Bongani seun															Semen skenker: Nee Toetse: Vrugbaarheid, BM, TB, Trich				
																Inent. Supavax, Lumpyvax, Slenkdal				

LOT 11

0480068, M. VAN NIEKERK, POSBUS 110259, HADISON PARK, 8306, (T)0832698443



Name: **GANNA** Ident. number: **GA 140431** Sex: **MALE** Section: **SP** Reg. number: **0081116733** Birth Date: **27-DEC-14**

GA 140431

DNA: -

GANNA GA 140431 - SP SC
0081116733 - 27-DEC-14 8%

NONNIE CR 070034 - SP P
0064821648 - 28-JUN-07 8%

LANGLYF R 040037 - SP SC
0049771645 - 03-SEP-04 6%

LANGLYF R 010014 - SP -
0045469970 - 22-AUG-01 5%

LANGLYF R 990008 - SP -
0042678433 - 24-AUG-99 5%

NONNIE CR 050004 - SP -
0049585979 - 26-JAN-05 15%

NONNIE CR 960004 - SP -
0036882744 - 29-JUL-96 7%

NONNIE CR 020054 - SP SC
0046637781 - 10-OCT-02 11%

AFC 29 ICP 442
RI 103 Avg. Wt/Calf: 94 / 5
Age / Calves 8j. 11md. / 6

GENERAALSDRAAI H 060093 - SP SC
0063667695 - 11-DEC-06 7%

GENERAALSDRAAI H 030011 - SP -
0047197751 - 11-MAY-03 6%

GENERAALSDRAAI H 010010 - SP P
0045651890 - 17-AUG-01 5%

WEST FRONT WF 100012 - SP SC
0070869136 - 15-APR-10 5%

AFC 29.1 ICP 387
RI 111 Avg. Wt/Calf: 95 / 3
Age / Calves 7j. 2md. / 4

WEST FRONT WF 070022 - SP P
0066808304 - 08-NOV-07 4%

WEST FRONT WF 040015 - SP SC
0049627607 - 23-OCT-04 4%

BLOMVLEI SW 050009 - SP -
0049907652 - 28-MAR-05 3%

AFC 29.2 ICP 391
RI 111 Avg. Wt/Calf: 99 / 4
Age / Calves 10j. 2md. / 8

Selection value	CALVING EASE ☆☆☆		MILK ★★	CALF GRWTH. ☆☆☆☆	MAINTENANCE ☆☆☆☆	GROWTH TEST					FERTILITY ☆☆☆			COW VALUE	GROWTH VALUE	PRODUCTION VALUE
	90 ₇₁	82 ₄₅	113 ₆₉	111 ₂₀	ADG	Kleiber	FCR	Length	Height	SC	AFC	ICP	106 ₂₁			
Birth wght	Birth Mat	Milk	Wean wght	Post wean	Mature wght	-	-	-	102	107	105	83	112	96 ₃₈	-	-
87	124	82	113	113	89	-	-	-	27 ₈	17 ₁₂	15.2 ₁₂	12 ₃₃	-4.5 ₉	☆☆☆	-	-
1.84 ₇₄	-.7 ₄₈	-3.4 ₄₅	9.2 ₆₉	14.6 ₃₀	-3 ₂₀	-	-	-	-	-	-	-	-	-	-	-
43			250 (98)	-	- (-)	-	-	-	-	-	-	-	-			
Remarks: Onthoring, rooi													Semen donor: No Tests: Vrugbaarheid, BM, TB, Trich Vacc. Supavax, Respiravax			

LOT 12

0615363, DONKERHOEK BOERDERY TRUST, POSBUS 40, BRITSTOWN, 8782, (T)083-468 6176



Naam: **DONKERHOEK** Ident. nommer: **DKH 150272** Geslag: **MANLIK** Afdeling: **SP** Reg. nommer: **0083135442** Geboorte Datum: **05-NOV-15**

DKH150272

DNS: U340415

DONKERHOEK DKH 150272 - SP H
0083135442 - 05-NOV-15 7%

ALPHA OMEGA AM 090038 - SP P
0069754760 - 01-OCT-09 7%

HBH HBH 060976 - SP P
0063656318 - 27-SEP-06 4%

NONNIE CR 010028 - SP P
0044861573 - 13-AUG-01 5%

HBH HBH 020664 - B -
0046849758 - 19-OCT-02 2%

ALPHA OMEGA AM 060042 - SP P
0064024011 - 11-DEC-06 23%

HEWAPO HWP 990250 - SP -
0043380245 - 10-NOV-99 8%

ALPHA OMEGA AM 030002 - SP H
0062421367 - 02-JUL-03 25%

BLOMVLEI SW 990015 - SP -
0042452524 - 28-SEP-99 3%

ZW BOOMERANG BG 920001 - SP -
0034054650 - 11-NOV-92 7%

BLOMVLEI SW 960007 - SP -
0037212727 - 27-OCT-96 4%

GREAT KAROO XY 070014 - SP -
0067661405 - 01-SEP-07 4%

OEK 23.7 TKP 375
RI 117 Gem SI/Kalf: 92 / 6
Oud. / Kalwers 10j. 1md. / 8

GREAT KAROO XY 020004 - SP -
0047234273 - 28-OCT-02 6%

GINSEL I 950001 - B -
0035836063 - 26-NOV-95 0%

GINSEL I 980002 - SP -
0039628821 - 08-JAN-98 14%

OEK 29.6 TKP 434
RI 106 Gem SI/Kalf: 121 / 1
Oud. / Kalwers 5j. 6md. / 3

Seleksie waarde	KALF GEMAK ☆☆☆		MELK ★★	KALFGROEI ☆☆☆☆	ONDERHOUD ☆☆	GROEI TOETS					VRUGBAARHEID ☆☆			KOEI WAARDE	GROEI WAARDE	PRODUKSIE WAARDE
	92 ₆₉	86 ₅₀	115 ₇₁	78 ₂₃	GDT	Kleiber	VOV	Lengte	Hoogte	SO	OEK	TKP	89 ₂₈			
Geb gew	Geb Mat	Melk	Speen gew	Naspeen	Volw. gewig	112	120	-	103	107	104	93	90	89 ₄₂	120 ₄₀	94 ₄₂
1.39 ₇₁	.17 ₅₁	-2.1 ₅₀	9.6 ₇₁	16.4 ₆₂	32 ₂₃	135 ₃₇	49 ₃₇	-	28 ₄₂	17 ₄₄	14.7 ₄₃	4.3 ₃₉	.3 ₁₈	-	-	-
35			204 (95)	239 (97)	319 (96)	-	-	-	-	-	-	-	-			
Opmerkings: Goed bespiede Bongani seun. Lig dagha, onthoring													Semen skenker: Nee Toitse: Vrugbaarheid, BM, TB, Trich Inent. Supavax, Lumpyvax, Slenkdal.			

LOT 13

0474426, A.J. KRIEL, POSBUS 334, BOSHOF, 8340, (T)082-805 0926



Name Ident. number Sex Section Reg. number Birth Date
CASMAN **CHK 140038** **MALE** **SP** **0080592231** **18-NOV-14**

CHK C140038

DNA: -

CASMAN CHK 140038 - SP **SC**
 0080592231 - 18-NOV-14 **7%**

EIRA AVR 080051 - SP -
 0067527119 - 29-OCT-08 **4%**

RITS W 030013 - SP -
 0048153241 - 12-JUL-03 **7%**

NONNIE CR 010023 - SP -
 0044861565 - 08-AUG-01 **4%**

AFC **26.4** ICP **369**
 RI **116** Avg. Wt/Calf: **101 / 8**
 Age / Calves **12j. 4md. / 10**

NONNIE CR 030069 - SP -
 0047594817 - 10-SEP-03 **9%**

CASMAN CHK 110156 - SP **P**
 0074228016 - 25-NOV-11 **2%**

AFC **35.8** ICP **376**
 RI **104** Avg. Wt/Calf: **114 / 3**
 Age / Calves **6j. 2md. / 4**

CASMAN CHK 080040 - B **P**
 0067623397 - 18-OCT-08 **3%**

AFC **37.2** ICP **559**
 RI **82** Avg. Wt/Calf: **100 / 1**
 Age / Calves **5j. 8md. / 2**

LARYN JM 960055 - SP -
 0037249547 - 10-NOV-96 **7%**

RITS W 002015 - SP -
 0043309350 - 30-JAN-00 **6%**

NONNIE CR 980011 - SP -
 0040477457 - 28-JUL-98 **5%**

NONNIE CR 920015 - SP -
 0027023688 - 31-AUG-92 **0%**

NONNIE CR 980030 - SP -
 0040477556 - 18-AUG-98 **5%**

NONNIE CR 920015 - SP -
 0027023688 - 31-AUG-92 **0%**

MOTSWIRI AJB 040083 - SP **P**
 0061041554 - 18-OCT-04 **4%**

CASMAN CHK 050099 - A -
 0067472530 - 29-SEP-05 **0%**

Selection value	CALVING EASE ★★★		MILK ★★	CALF GRWTH. ★★★	MAINTENANCE ★★☆	GROWTH TEST					FERTILITY ★★			COW VALUE	GROWTH VALUE	PRODUCTION VALUE		
	101 ₅₃	83 ₅₄	101 ₇₂	94 ₂₃	ADG	Kleiber	FCR	Length	Height	SC	AFC	ICP	83 ₃₆					
Birth wght	101	99	83	101	96	106	-	-	-	106	106	112	81	88	★★	84 ₄₅	-	-
Birth Mat	.68 ₅₄	.18 ₄₇	-3 ₅₄	4.7 ₇₂	5.6 ₆₂	15 ₂₃	-	-	-	31 ₇	17 ₁₁	18.3 ₁₂	13.8 ₄₇	.7 ₂₅				
Milk				193 (109)	202(107)	307(100)												
Weight/Indices																		
Remarks: Donkergeel, scurs															Semen donor: No Tests: Vrugbaarheid, BM, TB, Trich			
															Vacc. Knopvel, Slenkdal - Maart 2017. Botuthrax, Hiprabovis 4			

LOT 14

0480068, M. VAN NIEKERK, POSBUS 110259, HADISON PARK, 8306, (T)0832698443



Naam Ident. nommer Geslag Afdeling Reg. nommer Geboorte Datum
GANNA **GA 150006** **MANLIK** **B** **0082942939** **06-OCT-15**

GA 150006

DNS: -

GANNA GA 150006 - B -
 0082942939 - 06-OCT-15 **2%**

ALPHA OMEGA AM 080051 - SP -
 0067758946 - 29-OCT-08 **4%**

RITS W 991232 - SP **P**
 0043309285 - 31-DEC-99 **11%**

NONNIE CR 020058 - B **P**
 0046637880 - 15-OCT-02 **4%**

OEK **25.8** TKP **362**
 RI **118** Gem SI/Kalf: **98 / 10**
 Oud. / Kalwers **13j. 5md. / 12**

AVONDALE ADM 040060 - SP -
 0062610589 - 25-DEC-04 **4%**

AVONDALE ADM 100037 - A -
 0075404855 - 12-OCT-10 **0%**

OEK - TKP **367**
 RI **116** Gem SI/Kalf: **106 / 3**
 Oud. / Kalwers **7j. 3md. / 3**

SIGIDI HKL 950022 - SP -
 0038230934 - 02-NOV-95 **19%**

RITS W 960071 - SP -
 0038159448 - 30-JUN-96 **6%**

ZW BOOMERANG BG 960092 - SP -
 0043293224 - 30-OCT-96 **9%**

BUROWILL ASE 990019 - A -
 0042300368 - 14-JUN-99 **0%**

HBH HBH 000534 - SP -
 0044336873 - 22-NOV-00 **6%**

AVONDALE ADM 000019 - SP -
 0043316660 - 04-MAR-00 **0%**

---- -
 --- -
 --- -

Gem SI/Kalf: -

Seleksie waarde	KALF GEMAK ★★		MELK ★★★	KALFGROEI ★★★	ONDERHOUD ★★★		GROEI TOETS					VRUGBAARHEID ★★			KOEI WAARDE ★★★	GROEI WAARDE ★★★	PRODUKSIE WAARDE ★★★
	89 ₇₁	104 ₅₀	105 ₆₉	100 ₂₁	GDT	Kleiber	VOV	Lengte	Hoogte	SO	OEK	TKP	81 ₂₆				
Geb gew	89	97	104	105	100	100	108	99	-	111	102	102	105	79	95 ₄₁	103 ₃₄	96 ₄₀
Geb Mat	1.64 ₇₃	.24 ₅₁	3.1 ₅₀	5.9 ₆₉	7.5 ₃₀	9 ₂₁	121 ₃₁	23 ₃₁	-	35 ₃₆	15 ₃₈	13.7 ₃₇	-5.3 ₃₆	2.8 ₁₆			
Melk				214 (98)	-	-											
Speen gew																	
Naspeen																	
Volw. gewig																	
Teeltwaarde index																	
Teeltwaarde																	
Gewig/Indeks																	
Opmerkings: Onthoring, Rooi															Semen skenker: Nee Toetse: Vrugbaarheid, BM, TB, Trich		
															Inent. Supavax, Respiravax		

LOT 15

0474426, A.J. KRIEL, POSBUS 334, BOSHOF, 8340, (T)082-805 0926



Name Ident. number Sex Section Reg. number Birth Date
CASMAN CHK 140046 MALE B 0080592280 21-NOV-14

CHK C140046

DNA: -

CASMAN CHK 140046 - B P
 0080592280 - 21-NOV-14 0%

NONNIE CR 030069 - SP -
 0047594817 - 10-SEP-03 9%

NONNIE CR 980030 - SP -
 0040477556 - 18-AUG-98 5%

NONNIE CR 950008 - SP -
 0034205328 - 26-AUG-95 7%

LANGLYF AJR 870033 - SP -
 0014952352 - 14-OCT-87 0%

NONNIE CR 920015 - SP -
 0027023688 - 31-AUG-92 0%

LANGLYF AJR 890029 - SP -
 0020087722 - 08-SEP-89 1%

ZW KOCE HT 800017 - SP -
 0006617500 - 02-NOV-80 0%

AFC 25.1 ICP 425
 RI 105 Avg. Wt/Calf: 101 / 12
 Age / Calves 18j. 6md. / 15

--- MS -
 0135431206 - 01-JAN-40 -%

---- -
 ---- -%

---- -
 ---- -%

CASMAN CHK 030027 - A P
 0048154488 - 13-AUG-03 0%

AFC 39.9 ICP 363
 RI 108 Avg. Wt/Calf: 100 / 3
 Age / Calves 11j. 11md. / 9

CASMAN CHK 920005 - A -
 0036630945 - 25-JUL-92 0%

AFC - ICP 372
 RI 114 Avg. Wt/Calf: 80 / 1
 Age / Calves 12j. 12md. / 10

---- -
 ---- -%

---- -
 ---- -%

Selection value	CALVING EASE ☆☆☆		MILK ☆☆	CALF GRWTH. ☆☆☆☆	MAINTENANCE ☆☆	GROWTH TEST					FERTILITY ☆☆			COW VALUE ☆☆☆	GROWTH VALUE ☆☆☆	PRODUCTION VALUE ☆☆☆
	98 ₄₈	79 ₅₉	115 ₇₁	89 ₃₅	ADG	Kleiber	FCR	Length	Height	SC	AFC	ICP	88 ₄₂			
Birth wght	Birth Mat	Milk	Wean wght	Post wean	Mature wght	111	116	-	104	103	97	61	100	92 ₅₀	106 ₂₄	94 ₄₅
Breeding value index	.98 ₄₈	.12 ₄₆	-4.2 ₅₉	9.9 ₇₁	16.9 ₆₄	21 ₃₅	130 ₂₂	44 ₂₂	-	28 ₂₄	15 ₂₅	11.5 ₂₆	29.9 ₅₀	-1.9 ₃₅		
Breeding value																
Weights/Index			183 (103)	230(107)	326(107)											
Remarks:	Rooi, poenskop															
	Semen donor: No Tests: Vrugbaarheid, BM, TB, Trich Vacc. Knopvel, Slenkdal - Maart 2017. Botuthrax, Hiprabovis 4															

LOT 16

0480068, M. VAN NIEKERK, POSBUS 110259, HADISON PARK, 8306, (T)0832698443



Naam Ident. nommer Geslag Afdeling Reg. nommer Geboorte Datum
GANNA GA 150012 MANLIK SP 0082942996 21-OCT-15

GA 150012

DNS: -

GANNA GA 150012 - SP -
 0082942996 - 21-OCT-15 7%

DONKERHOEK DKH 080006 - SP H
 0068176494 - 22-DEC-08 6%

HBH HBH 050905 - SP -
 0062366893 - 13-OCT-05 6%

HBH HBH 980358 - SP -
 0041546235 - 04-NOV-98 4%

HBH HBH 000548 - B -
 0044336964 - 06-DEC-00 8%

WEST FRONT WF 050014 - SP -
 0062385562 - 14-NOV-05 8%

NONNIE CR 010032 - SP SC
 0045174513 - 23-AUG-01 7%

NONNIE CR 990023 - SP -
 0042300517 - 23-AUG-99 6%

GREAT KAROO XY 090035 - SP P
 0070192372 - 28-OCT-09 5%

BUROWILL ASE 010040 - SP -
 0045265808 - 04-OCT-01 8%

LARYN JM 000038 - SP -
 0043913847 - 07-NOV-00 8%

DONKERHOEK DKH 120073 - SP H
 0076099472 - 09-OCT-12 14%

OEK 36.4 TKP 390
 RI 96 Gem SI/Kalf: 102 / 2
 Oud. / Kalwers 5j. 3md. / 2

BUROWILL ASE 080030 - SP H
 0067611913 - 01-NOV-08 5%

HBH HBH 000534 - SP -
 0044336873 - 22-NOV-00 6%

- ASE 030051 - B PP
 0047962733 - 07-SEP-03 23%

OEK 35.6 TKP 373
 RI 107 Gem SI/Kalf: 116 / 5
 Oud. / Kalwers 9j. 2md. / 6

Seleksie waarde	KALF GEMAK ☆☆☆		MELK ☆☆☆	KALFGROEI ☆☆☆	ONDERHOUD ☆☆☆		GROEI TOETS					VRUGBAARHEID ☆☆☆			KOEI WAARDE ☆☆☆	GROEI WAARDE	PRODUKSIE WAARDE
	104 ₇₂	105 ₄₈	98 ₇₂	90 ₂₄	GDT	Kleiber	VOV	Lengte	Hoogte	SO	OEK	TKP	106 ₂₂				
Geb gew	Geb Mat	Melk	Speen gew	Naspeen	Volw. gewig	102	96	-	106	105	100	94	109	104 ₄₁	-	-	
Teeltwaarde index	.42 ₇₅	.08 ₄₇	3.5 ₄₈	3.6 ₇₂	7.9 ₅₀	20 ₂₄	103 ₁₂	20 ₁₂	-	31 ₁₈	16 ₂₁	13 ₂₀	3.5 ₃₃	-3.9 ₁₁			
Teeltwaarde																	
Gewig/Index			227 (105)	-	- (-)												
Opmerkings:	Poenskop, Rooi																
	Semen skenker: Nee Toetse: Vrugbaarheid, BM, TB, Trich Inent. Supavax, Respiravax																

LOT 17

0474426, A.J. KRIEL, POSBUS 334, BOSHOF, 8340, (T)082-805 0926



Name Ident. number Sex Section Reg. number Birth Date
CASMAN CHK 140065 MALE B 0080590870 24-NOV-14

CHK C140065

DNA: -

CASMAN CHK 140065 - B SC
 0080590870 - 24-NOV-14 0%

EIRA AVR 080051 - SP
 0067527119 - 29-OCT-08 4%

RITS W 030013 - SP
 0048153241 - 12-JUL-03 7%

LARYN JM 960055 - SP
 0037249547 - 10-NOV-96 7%

RITS W 002015 - SP
 0043309350 - 30-JAN-00 6%

NONNIE CR 010023 - SP
 0044861565 - 08-AUG-01 4%

NONNIE CR 980011 - SP
 0040477457 - 28-JUL-98 5%

NONNIE CR 920015 - SP
 0027023688 - 31-AUG-92 0%

AFC 26.4 ICP 369
 RI 116 Avg. Wt/Calf: 101 / 8
 Age / Calves 12j. 4md. / 10

--- MS
 0135431206 - 01-JAN-40 -%

---- -%
 ---- -%
 ---- -%

CASMAN CHK 100106 - A
 0077175370 - 16-NOV-10 0%

AFC - ICP 373
 RI 114 Avg. Wt/Calf: 116 / 2
 Age / Calves 5j. 1md. / 3

---- -%
 ---- -%
 ---- -%

Avg. Wt/Calf: -

Selection value	CALVING EASE ★★★		MILK ★★★		CALF GRWTH. ★★★		MAINTENANCE ★★★			GROWTH TEST					FERTILITY ★★★			COW VALUE	GROWTH VALUE	PRODUCTION VALUE
	100 ₄₆	90 ₅₀	99 ₇₀	91 ₂₁											103 ₃₀					
Birth wght	Birth Mat	Milk	Wean wght	Post wean	Mature wght	ADG	Kleiber	FCR	Length	Height	SC	AFC	ICP	★★★						
101	92	90	99	100	109	112	107	-	113	109	106	93	105	★★★			90 ₄₁	-	-	
.67 ₄₇	.42 ₄₁	-1 ₅₀	4 ₇₀	7.6 ₆₀	19 ₂₁	134 ₁₅	34 ₁₅	-	37 ₁₇	19 ₁₈	15.7 ₁₈	3.8 ₃₈	-3.1 ₂₁							
Remarks: Donkerrooi, poenskop															Semen donor: No Tests: Vrugbaarheid, BM, TB, Trich					
															Vacc. Knopvel, Slenkdal - Maart 2017. Botuthrax, Hiprabovis 4					

LOT 18

0474426, A.J. KRIEL, POSBUS 334, BOSHOF, 8340, (T)082-805 0926



Naam Ident. nommer Geslag Afdeling Reg. nommer Geboorte Datum
CASMAN CHK 060046 VROULIK SP 0063520951 02-OCT-06

C06 0046

DNS: -

CASMAN CHK 060046 - SP P
 0063520951 - 02-OCT-06 7%

OEK 38 TKP 366
 RI 109
 Oud. / Kalwers 11j. 3md. / 9
 Gem SI/Kalf: 87 / 5

KALWINGS
 12/09, 11/10, 10/11, 11/12, 11/13, 11/14, 11/15, 12/16, 12/17

MEGA M 020016 - SP
 0046944336 - 05-SEP-02 10%

NONNIE CR 990005 - SP
 0042339689 - 20-JUL-99 6%

NONNIE CR 960004 - SP
 0036882744 - 29-JUL-96 7%

- J 950030 - SP
 0040625840 - 01-AUG-95 20%

ZW BOOMERANG BG 990029 - SP
 0044845923 - 07-NOV-99 6%

- J942014 - SP
 0043568914 - 08-MAY-94 10%

ZW BOOMERANG BG 940055 - SP
 0044845378 - 30-NOV-94 5%

OEK 33.9 TKP 426
 RI 101 Gem SI/Kalf: 101 / 6
 Oud. / Kalwers 17j. 2md. / 11

ZW BOOMERANG BG 900018 - SP
 0027888338 - 09-OCT-90 8%

ZW BOOMERANG BG 850108 - SP
 0022173868 - 17-DEC-85 9%

ZW BOOMERANG BG 830185 - SP
 0044861524 - 26-NOV-83 2%

CASMAN CHK 010053 - SP
 0045236734 - 12-OCT-01 5%

OEK 37.8 TKP 667
 RI 74 Gem SI/Kalf: / 0
 Oud. / Kalwers 5j. 1md. / 2

CASMAN CHK 970089 - B
 0039211875 - 22-NOV-97 0%

BILTONG GCB 910006 - SP
 0025193194 - 08-NOV-91 1%

CASMAN CHK 930046 - A
 0036631141 - 12-NOV-93 0%

OEK 46.7 TKP 477
 RI 73 Gem SI/Kalf: 102 / 1
 Oud. / Kalwers 7j. 10md. / 3

Seleksie waarde	KALF GEMAK ★★★		MELK ★		KALFGROEI ★★		ONDERHOUD ★★★			GROEI TOETS					VRUGBAARHEID ★★★			KOEI WAARDE ★★	GROEI WAARDE ★★	PRODUKSIE WAARDE ★★
	118 ₃₄	79 ₇₈	78 ₆₈	114 ₂₇											106 ₄₇					
Geb gew	Geb Mat	Melk	Speen gew	Naspeen	Volw. gewig	GDT	Kleiber	VOV	Lengte	Hoogte	SO	OEK	TKP							
116	107	79	78	77	86	78	86	-	77	88	79	90	109				83 ₅₂	88 ₂₂	82 ₄₆	
-65 ₃₄	-1 ₃₀	-4.3 ₇₈	-3.8 ₆₈	-4.8 ₅₅	-6.2 ₇	32 ₁₆	6 ₁₈	-	5 ₁₆	6 ₁₈	3.7 ₂₅	6.6 ₆₀	-4 ₃₄				In Vitro			
Opmerkings: Donkerrooi, poenskop met rooi bulkalf CHK170237 - vader R060050															Spoelings/Embrios/Kalwers: 0/0/0 Toetse: BM en TB					
															Inent. Botuthrax, Hiprabovis 4, S19, Maart 2017 - Knopvel en Slenkdal					

LOT 19

0474426, A.J. KRIEL, POSBUS 334, BOSHOF, 8340, (T)082-805 0926



Name Ident. number Sex Section Reg. number Birth Date
CASMAN **CHK 070157** **FEMALE** **B** **0065568149** **17-OCT-07**

H070157

DNA: -

CASMAN CHK 070157 - B **P**
 0065568149 - 17-OCT-07 **4%**
 AFC **36.3** ICP **370**
 RI **109**
 Age / Calves **10j. 3md. / 8**
 Avg. Wl/Calf: **89 / 4**
 CALVINGS
10/10 ,11/11 ,
11/12 ,11/13 ,
11/14 ,11/15 ,
12/16 ,11/17

MEGA M 020016 - SP **-**
 0046944336 - 05-SEP-02 **10%**

CASMAN CHK 010127 - A **-**
 0062942206 - 02-NOV-01 **0%**
 AFC **-** ICP **379**
 RI **113** Avg. Wl/Calf: **/ 0**
 Age / Calves **7j. 7md. / 2**

NONNIE CR 990005 - SP **-**
 0042339689 - 20-JUL-99 **6%**

ZW BOOMERANG BG 990029 - SP **-**
 0044845923 - 07-NOV-99 **6%**
 AFC **33.9** ICP **426**
 RI **101** Avg. Wl/Calf: **101 / 6**
 Age / Calves **17j. 2md. / 11**

LARYN JM 940048 - SP **-**
 0032701617 - 06-NOV-94 **5%**

NONNIE CR 960004 - SP **-**
 0036882744 - 29-JUL-96 **7%**

- J 950030 - SP **-**
 0040625840 - 01-AUG-95 **20%**

- J942014 - SP **-**
 0043568914 - 08-MAY-94 **10%**

ZW BOOMERANG BG 940055 - SP **-**
 0044845378 - 30-NOV-94 **5%**

ZW BOOMERANG BG 800022 - B **-**
 0009589565 - 25-SEP-80 **4%**

LANGLYF AJR 850027 - SP **-**
 0010521896 - 15-DEC-85 **4%**

---- **-**
 --- **-%**

---- **-**
 --- **-%**

Avg. Wl/Calf: -

Selection value	CALVING EASE		MILK	CALF GRWTH.	MAINTENANCE		GROWTH TEST					FERTILITY			COW VALUE	GROWTH VALUE	PRODUCTION VALUE	
	★ ★ ★ ☆	★ ★ ★ ☆	★ ★	★ ★	★ ★ ★ ☆	★ ★ ★ ☆	ADG	Kleiber	FCR	Length	Height	SC	AFC	ICP				★ ★ ★ ☆
	115 ₂₈		86 ₇₅	81 ₆₅		117 ₂₄								119 ₄₅				
Birth wght	112	112	86	81	80	83	89	93	-	91	101	90	100	120	91 ₄₉	95 ₂₀	91 ₄₃	
Birth Mat																		
Breeding value index	112	112	86	81	80	83	89	93	-	91	101	90	100	120	91 ₄₉	95 ₂₀	91 ₄₃	
Breeding value	-0.31 ₂₈	-0.3 ₂₅	-2.3 ₇₅	-3 ₆₅	-3.5 ₅₇	-9 ₂₄	65 ₁₇	16 ₁₇	-	17 ₁₈	14 ₁₉	8.6 ₂₂	-1.3 ₅₇	-6.3 ₃₃	In Vitro			
Weights/Index				- (-)	- -	- (-)									Flushings/Embrios/Calves: 0/0/0 Tests: BM en TB			
Remarks:	Geel, poenskop met rooi bulkalf CHK170188 - vader AVR080051															Vacc. Botuthrax, Hiprabovis 4, S19, Maart 2017 - Knopvel en Slenkdal		

LOT 20

0474426, A.J. KRIEL, POSBUS 334, BOSHOF, 8340, (T)082-805 0926



Naam Ident. nommer Geslag Afdeling Reg. nommer Geboorte Datum
CASMAN **CHK 070179** **VROULIK** **SP** **0065567612** **23-OCT-07**

C070179

DNS: -

CASMAN CHK 070179 - SP **P**
 0065567612 - 23-OCT-07 **3%**
 OEK **35.9** TKP **371**
 RI **109**
 Oud. / Kalwers **10j. 3md. / 8**
 Gem SI/Kalf: **106 / 4**
 KALWINGS
10/10 ,11/11 ,
11/12 ,12/13 ,
12/14 ,11/15 ,
12/16 ,11/17

MEGA M 030011 - SP **P**
 0048821276 - 25-AUG-03 **5%**

CASMAN CHK 010099 - B **-**
 0045927167 - 26-OCT-01 **0%**
 OEK **36.3** TKP **361**
 RI **105** Gem SI/Kalf: **/ 0**
 Oud. / Kalwers **7j. 6md. / 4**

NONNIE CR 990005 - SP **-**
 0042339689 - 20-JUL-99 **6%**

ZW BOOMERANG BG 980078 - SP **-**
 0044845725 - 29-SEP-98 **8%**
 OEK **45.7** TKP **418**
 RI **96** Gem SI/Kalf: **99 / 5**
 Oud. / Kalwers **18j. 3md. / 11**

BILTONG GCB 910006 - SP **-**
 0025193194 - 08-NOV-91 **1%**

CASMAN CHK 960009 - A **-**
 0040579112 - 22-MAY-96 **0%**
 OEK **-** TKP **449**
 RI **97** Gem SI/Kalf: **/ 0**
 Oud. / Kalwers **11j. 0md. / 7**

NONNIE CR 960004 - SP **-**
 0036882744 - 29-JUL-96 **7%**

- J 950030 - SP **-**
 0040625840 - 01-AUG-95 **20%**

ZW BOOMERANG BG 940031 - SP **-**
 0043567502 - 04-OCT-94 **2%**

ZW BOOMERANG BG 950104 - SP **-**
 0044845469 - 06-DEC-95 **7%**

ZW BOOMERANG BG 800022 - B **-**
 0009589565 - 25-SEP-80 **4%**

ZW BOOMERANG BG 820090 - B **-**
 0009589573 - 10-SEP-82 **0%**

---- **-**
 --- **-%**

---- **-**
 --- **-%**

Seleksie waarde	KALF GEMAK		MELK	KALFGROEI	ONDERHOUD		GROEI TOETS					VRUGBAARHEID			KOEI WAARDE	GROEI WAARDE	PRODUKSIE WAARDE	
	★ ★ ☆	★ ★ ☆	★ ★ ★ ☆	★ ★ ★	★ ★ ☆	★ ★ ☆	GDT	Kleiber	VOV	Lengte	Hoogte	SO	OEK	TKP				★ ★ ☆
	99 ₂₆		111 ₇₆	100 ₆₄		96 ₃₃								74 ₄₉				
Geb gew	97	106	111	100	102	104	107	109	-	105	112	101	92	75	102 ₅₂	-	-	
Geb Mat																		
Teeltwaarde index	97	106	111	100	102	104	107	109	-	105	112	101	92	75	102 ₅₂	-	-	
Teeltwaarde	.96 ₂₆	-0.8 ₂₃	5.3 ₇₆	4.3 ₆₄	8.6 ₅₀	13 ₃₃	119 ₁₅	36 ₁₅	-	29 ₁₆	20 ₁₈	13.4 ₁₉	4.7 ₆₁	3.5 ₃₇	In Vitro			
Gewig/Index				- (-)	- -	- (-)									Spoelings/Embrios/Kalwers: 0/0/0 Toetse: BM en TB			
Opmerkings:	Geel, poenskop met rooi bulkalf CHK170153 - vader AVR080051															Inent. Botuthrax, Hiprabovis 4, S19, Maart 2017 - Knopvel en Slenkdal		

LOT 21

0474426, A.J. KRIEL, POSBUS 334, BOSHOF, 8340, (T)082-805 0926



Name Ident. number Sex Section Reg. number Birth Date
CASMAN **CHK 070120** **FEMALE** **B** **0065568222** **09-OCT-07**

K070120

DNA: -

CASMAN CHK 070120 - B **P**
 0065568222 - 09-OCT-07 **0%**
 AFC **37.6** ICP **369**
 RI **108**
 Age / Calves **10j. 3md. / 8**
 Avg. WI/Calv: **98 / 6**
 CALVINGS
 11/10 ,11/11 ,
 11/12 ,11/13 ,
 12/14 ,11/15 ,
 12/16 ,12/17

MEGA M 020016 - SP -
 0046944336 - 05-SEP-02 **10%**

CASMAN CHK 960002 - A -
 0040579104 - 06-APR-96 **0%**
 AFC - ICP **403**
 RI **107** Avg. WI/Calv: **96 / 1**
 Age / Calves **13j. 3md. / 10**

NONNIE CR 990005 - SP -
 0042339689 - 20-JUL-99 **6%**

ZW BOOMERANG BG 990029 - SP -
 0044845923 - 07-NOV-99 **6%**
 AFC **33.9** ICP **426**
 RI **101** Avg. WI/Calv: **101 / 6**
 Age / Calves **17j. 2md. / 11**

---- -
 --- -%
 --- -%
 --- -%
 --- -%
 --- -%
 --- -%

Avg. WI/Calv: -

NONNIE CR 960004 - SP -
 0036882744 - 29-JUL-96 **7%**

- J 950030 - SP -
 0040625840 - 01-AUG-95 **20%**

- **J942014 - SP** -
 0043568914 - 08-MAY-94 **10%**

ZW BOOMERANG BG 940055 - SP -
 0044845378 - 30-NOV-94 **5%**

---- -
 --- -%
 --- -%
 --- -%
 --- -%
 --- -%
 --- -%

Selection value	CALVING EASE		MILK	CALF GRWTH.	MAINTENANCE	GROWTH TEST					FERTILITY			COW VALUE	GROWTH VALUE	PRODUCTION VALUE	
	★★★	★★★	★★★	★★★	★★★	ADG	Kleiber	FCR	Length	Height	SC	AFC	ICP				★★★
	101 ₂₃	105 ₇₅	100 ₆₄	102 ₂₆		96	95	-	97	99	100	63	102	104 ₅₀	105 ₂₂	104 ₄₄	
Birth wght	100	104	105	100	104	96	95	-	97	99	100	63	102	In Vitro			
Birth Mat	0	0	3.5 ₇₅	4.1 ₆₄	9.9 ₅₃	7 ₂₆	84 ₂₀	18 ₂₀	-	23 ₁₇	12 ₁₈	12.7 ₂₅	28.8 ₆₁	-2.4 ₃₆	Flushings/Embrios/Calves: 0/0/0		
Milk														Tests: BM en TB			
Wean wght														Remarks:			
Post wean														Rooi, poenskap met rooi bulkalf CHK170282 - vader AVR080051			
Mature wght														Vacc. Botuthrax, Hiprabovis 4, S19, Maart 2017 - Knopvel en Slenkdal			

LOT 22

0474426, A.J. KRIEL, POSBUS 334, BOSHOF, 8340, (T)082-805 0926



Naam Ident. nommer Geslag Afdeling Reg. nommer Geboorte Datum
CASMAN **CHK 070192** **VROULIK** **B** **0065567661** **24-OCT-07**

C070192

DNS: G3243

CASMAN CHK 070192 - B **P**
 0065567661 - 24-OCT-07 **0%**
 OEK **36.4** TKP **371**
 RI **108**
 Oud. / Kalwers **10j. 3md. / 8**
 Gem SI/Kalf: **103 / 5**
 KALWINGS
 11/10 ,12/11 ,
 12/12 ,11/13 ,
 12/14 ,12/15 ,
 12/16 ,12/17

MEGA M 020016 - SP -
 0046944336 - 05-SEP-02 **10%**

CASMAN CHK 950032 - A -
 0040578981 - 10-OCT-95 **0%**
 OEK - TKP **472**
 RI **91** Gem SI/Kalf: **102 / 1**
 Oud. / Kalwers **13j. 9md. / 8**

NONNIE CR 990005 - SP -
 0042339689 - 20-JUL-99 **6%**

ZW BOOMERANG BG 990029 - SP -
 0044845923 - 07-NOV-99 **6%**
 OEK **33.9** TKP **426**
 RI **101** Gem SI/Kalf: **101 / 6**
 Oud. / Kalwers **17j. 2md. / 11**

---- -
 --- -%
 --- -%
 --- -%
 --- -%
 --- -%
 --- -%

Gem SI/Kalf: -

NONNIE CR 960004 - SP -
 0036882744 - 29-JUL-96 **7%**

- J 950030 - SP -
 0040625840 - 01-AUG-95 **20%**

- **J942014 - SP** -
 0043568914 - 08-MAY-94 **10%**

ZW BOOMERANG BG 940055 - SP -
 0044845378 - 30-NOV-94 **5%**

---- -
 --- -%
 --- -%
 --- -%
 --- -%
 --- -%
 --- -%

Seleksie waarde	KALF GEMAK		MELK	KALFGROEI	ONDERHOUD	GROEI TOETS					VRUGBAARHEID			KOEI WAARDE	GROEI WAARDE	PRODUKSIE WAARDE
	★★★	★★★	★★★	★★☆	★★★	GDT	Kleiber	VOV	Lengte	Hoogte	SO	OEK	TKP			
	106 ₂₃	100 ₇₈	94 ₆₇	106 ₂₇		101	99	-	104	105	98	93	115	104 ₅₁	109 ₂₃	105 ₄₅
Geb gew	104	106	100	94	97	101	99	-	104	105	98	93	115	In Vitro		
Geb Mat	0.38 ₂₃	-0.08 ₂₀	2.1 ₇₈	2.1 ₆₇	6 ₅₄	100 ₂₁	23 ₂₁	-	28 ₂₃	16 ₂₄	11.9 ₂₆	3.9 ₅₈	-5.2 ₃₅	Spoelings/Embrios/Kalwers: 0/0/0		
Melk														Toetse: BM en TB		
Speen gew														Opmerkings:		
Naspeen														Rooi, poenskap met rooi bulkalf CHK170296 - vader AVR080051		
Volw. gewig														Inent. Botuthrax, Hiprabovis 4, S19, Maart 2017 - Knopvel en Slenkdal		

LOT 23

0474426, A.J. KRIEL, POSBUS 334, BOSHOF, 8340, (T)082-805 0926



Name Ident. number Sex Section Reg. number Birth Date
CASMAN CHK 100032 FEMALE SP 0072097835 27-OCT-10

H100032

DNA: -

CASMAN CHK 100032 - SP H
 0072097835 - 27-OCT-10 8%

AFC 25.7 ICP 360
 RI 119
 Age / Calves 7j. 2md. / 6
 Avg. Wl/Calv: 108 / 2
 CALVINGS
 12/12, 11/13,
 12/14, 11/15,
 12/16, 11/17

CASMAN CHK 060026 - SP P
 0063234645 - 27-SEP-06 5%

CASMAN CHK 070157 - B P
 0065568149 - 17-OCT-07 4%

AFC 36.3 ICP 370
 RI 109 Avg. Wl/Calv: 89 / 4
 Age / Calves 10j. 3md. / 8

MEGA M 030011 - SP P
 0048821276 - 25-AUG-03 5%

CASMAN CHK 950063 - B -
 0040579021 - 15-NOV-95 2%

AFC - ICP 419
 RI 104 Avg. Wl/Calv: / 0
 Age / Calves 11j. 6md. / 8

MEGA M 020016 - SP -
 0046944336 - 05-SEP-02 10%

CASMAN CHK 010127 - A -
 0062942206 - 02-NOV-01 0%

AFC - ICP 379
 RI 113 Avg. Wl/Calv: / 0
 Age / Calves 7j. 7md. / 2

NONNIE CR 990005 - SP -
 0042339689 - 20-JUL-99 6%

ZW BOOMERANG BG 980078 - SP -
 0044845725 - 29-SEP-98 8%

BILTONG GCB 910006 - SP -
 0025193194 - 08-NOV-91 1%

CASMAN CHK 920012 - A -
 0036631158 - 14-AUG-92 0%

NONNIE CR 990005 - SP -
 0042339689 - 20-JUL-99 6%

ZW BOOMERANG BG 990029 - SP -
 0044845923 - 07-NOV-99 6%

LARYN JM 940048 - SP -
 0032701617 - 06-NOV-94 5%

---- -
 --- - -%

Selection value	CALVING EASE		MILK		CALF GRWTH.		MAINTENANCE		GROWTH TEST					FERTILITY			COW VALUE	GROWTH VALUE	PRODUCTION VALUE
	★★★	★★★	★★★	★★★	★★★	★★★	ADG	Kleiber	FCR	Length	Height	SC	AFC	ICP	★★★				
	101 ₁₆	112 ₆₈	94 ₅₈	99 ₂₉										88 ₄₂					
Birth wght	100	105	112	94	95	101	-	-	-	-	-	-	93	90	102 ₄₆				
Birth Mat													4.6 ₅₄	.3 ₃₀					
Breeding value index	.78 ₁₆	-.05 ₁₁	5.6 ₆₈	2 ₅₈	4.9 ₄₅	10 ₂₉	-	-	-	-	-	-	4.6 ₅₄	.3 ₃₀					
Breeding value																			
Weights/Index																			
Remarks:	Donkerrooi, horings/scurs met rooi verskalf CHK170137 - vader AVR08051															In Vitro Flushings/Embrios/Calves: 0/0/0 Tests: BM en TB			
																Vacc. Botuthrax, Hiprabovis 4, S19, Maart 2017 - Knopvel en Slenkdal			

LOT 24

0474426, A.J. KRIEL, POSBUS 334, BOSHOF, 8340, (T)082-805 0926



Naam Ident. nommer Geslag Afdeling Reg. nommer Geboorte Datum
CASMAN CHK 110300 VROULIK B 0074474966 21-DEC-11

CHK M110300

DNS: -

CASMAN CHK 110300 - B P
 0074474966 - 21-DEC-11 2%

OEK 36.6 TKP 385
 RI 99
 Oud. / Kalwers 6j. 1md. / 3
 Gem SI/Kalf: 106 / 2
 KALWINGS
 01/15, 02/16,
 02/17

NONNIE CR 030069 - SP -
 0047594817 - 10-SEP-03 9%

CASMAN CHK 010072 - A -
 0062942180 - 19-OCT-01 0%

OEK - TKP 371
 RI 115 Gem SI/Kalf: / 0
 Oud. / Kalwers 16j. 3md. / 8

NONNIE CR 980030 - SP -
 0040477556 - 18-AUG-98 5%

NONNIE CR 920015 - SP -
 0027023688 - 31-AUG-92 0%

OEK 25.1 TKP 425
 RI 105 Gem SI/Kalf: 101 / 12
 Oud. / Kalwers 18j. 6md. / 15

LARYN JM 940048 - SP -
 0032701617 - 06-NOV-94 5%

---- -
 --- - -%

NONNIE CR 950008 - SP -
 0034205328 - 26-AUG-95 7%

LANGLYF AJR 870033 - SP -
 0014952352 - 14-OCT-87 0%

LANGLYF AJR 890029 - SP -
 0020087722 - 08-SEP-89 1%

ZW KOCE HT 800017 - SP -
 0006617500 - 02-NOV-80 0%

ZW BOOMERANG BG 800022 - B -
 0009589565 - 25-SEP-80 4%

LANGLYF AJR 850027 - SP -
 0010521896 - 15-DEC-85 4%

---- -
 --- - -%

---- -
 --- - -%

---- -
 --- - -%

Gem SI/Kalf: -

Seleksie waarde	KALF GEMAK		MELK		KALFGROEI		ONDERHOUD		GROEI TOETS					VRUGBAARHEID			KOEI WAARDE	GROEI WAARDE	PRODUKSIE WAARDE
	★★★	★★★	★★★	★★★	★★★	★★★	GDT	Kleiber	VOV	Lengte	Hoogte	SO	OEK	TKP	★★★				
	96 ₅₁	98 ₆₇	111 ₆₁	112 ₄₀										87 ₄₉					
Geb gew	95	107	98	111	105	88	116	118	-	112	118	111	74	94	107 ₅₃	108 ₂₆	107 ₄₈		
Geb Mat																			
Melk	1.2 ₅₁	-.1 ₄₉	1.3 ₆₇	8.2 ₆₁	10.4 ₄₆	-4 ₄₀	146 ₂₄	47 ₂₄	-	35 ₂₅	24 ₂₆	17.8 ₂₈	19.4 ₅₉	-5 ₃₉					
Speen gew																			
Naspeen																			
Volw. gewig																			
Teeltwaarde index																			
Teeltwaarde																			
Gewig/Index																			
Opmerkings:	Geel, poenskop, swaar dragtig															In Vitro Spoelings/Embrios/Kalwers: 0/0/0 Toetse: BM en TB			
																Inent. Botuthrax, Hiprabovis 4, S19, Maart 2017 - Knopvel en Slenkdal			

LOT 25

0474426, A.J. KRIEL, POSBUS 334, BOSHOF, 8340, (T)082-805 0926



Name Ident. number Sex Section Reg. number Birth Date
CASMAN **CHK 080057** **FEMALE** **SP** **0067623488** **24-OCT-08**

C08 0057

DNA: -

CASMAN CHK 080057 - SP **P**
 0067623488 - 24-OCT-08 **3%**

AFC **36.4** ICP **444**
 RI **95**
 Age / Calves **9j. 3md. / 6**
 Avg. Wt/Calv: **103 / 4**
 CALVINGS
11/11 ,12/12 ,
03/14 ,08/15 ,
11/16 ,12/17

MOTSWIRI AJB 040083 - SP **P**
 0061041554 - 18-OCT-04 **4%**

CASMAN CHK 990033 - SP **-**
 0042632398 - 06-OCT-99 **7%**

AFC **20.5** ICP **406**
 RI **111** Avg. Wt/Calv: **78 / 1**
 Age / Calves **16j. 9md. / 14**

MOTSWIRI AJB 000060 - SP **-**
 0043930585 - 01-OCT-00 **6%**

MOTSWIRI AJB 000018 - B **-**
 0043930338 - 17-SEP-00 **0%**

AFC **38.5** ICP **321**
 RI **96** Avg. Wt/Calv: **92 / 1**
 Age / Calves **4j. 10md. / 2**

LARYN JM 940048 - SP **-**
 0032701617 - 06-NOV-94 **5%**

CASMAN CHK 960042 - B **-**
 0037302379 - 26-OCT-96 **0%**

AFC **-** ICP **394**
 RI **109** Avg. Wt/Calv: **62 / 1**
 Age / Calves **8j. 8md. / 4**

ZW BOOMERANG BG 950027 - SP **-**
 0043247139 - 04-NOV-95 **3%**

SIGIDI HKL 900732 - SP **-**
 0025519208 - 05-OCT-90 **12%**

ZW BOOMERANG BG 960016 - SP **-**
 0043293208 - 18-AUG-96 **5%**

MOTSWIRI AJB 970018 - A **-**
 0043640911 - 05-SEP-97 **0%**

ZW BOOMERANG BG 800022 - B **-**
 0009589565 - 25-SEP-80 **4%**

LANGLYF AJR 850027 - SP **-**
 0010521896 - 15-DEC-85 **4%**

BILTONG GCB 910006 - SP **-**
 0025193194 - 08-NOV-91 **1%**

CASMAN CHK 930009 - A **-**
 0036630879 - 29-MAR-93 **0%**

Selection value	CALVING EASE		MILK	CALF GRWTH.	MAINTENANCE	GROWTH TEST						FERTILITY			COW VALUE	GROWTH VALUE	PRODUCTION VALUE
	★★★	★★★	★★★	★★	★★★★☆							★★★☆☆					
	103 ₄₀		93 ₇₁	89 ₆₂	136 ₃₄								119 ₄₂				
Birth wght	101	113	93	89	86	64	94	103	-	91	95	80	112	116	100 ₄₉	93 ₂₀	99 ₄₃
Birth Mat																	
Breeding value index																	
Breeding value	.66 ₄₁	-.33 ₂₈	-.2 ₇₁	.1 ₆₂	0 ₅₀	-29 ₃₄	78 ₁₇	28 ₁₇	-	17 ₁₀	11 ₁₃	4.4 ₂₃	-11.7 ₅₄	-5.4 ₂₉	In Vitro		
Weights/Index															Flushings/Embrios/Calves: 0/0/0 Tests: BM en TB		
Remarks:	Geel poenskop met bulkalf CHK170192 - vader CHK100138														Vacc. Botuthrax, Hiprabovis 4, S19, Maart 2017 - Knopvel en Slenkdal		

LOT 26

0474426, A.J. KRIEL, POSBUS 334, BOSHOF, 8340, (T)082-805 0926



Naam Ident. nommer Geslag Afdeling Reg. nommer Geboorte Datum
CASMAN **CHK 140096** **VROULIK** **SP** **0080592637** **29-NOV-14**

CHK J140096

DNS: -

CASMAN CHK 140096 - SP **H**
 0080592637 - 29-NOV-14 **4%**

OEK **36.9** TKP **-**
 RI **88**
 Oud. / Kalwers **3j. 1md. / 1**
 Gem SI/Kalf: **/ 0**
 KALWINGS
12/17

LANGLYF R 060050 - SP **SC**
 0063354161 - 12-OCT-06 **4%**

CASMAN CHK 110075 - SP **H**
 0074227760 - 07-NOV-11 **3%**

OEK **36.7** TKP **367**
 RI **104** Gem SI/Kalf: **109 / 3**
 Oud. / Kalwers **6j. 2md. / 4**

PAVO T 000012 - B **-**
 0043903491 - 09-SEP-00 **3%**

LANGLYF R 030053 - SP **-**
 0047533674 - 16-AUG-03 **6%**

OEK **37.9** TKP **364**
 RI **110** Gem SI/Kalf: **108 / 8**
 Oud. / Kalwers **14j. 5md. / 11**

NONNIE CR 030069 - SP **-**
 0047594817 - 10-SEP-03 **9%**

CASMAN CHK 070146 - B **P**
 0065568107 - 15-OCT-07 **4%**

OEK **36.5** TKP **376**
 RI **108** Gem SI/Kalf: **99 / 4**
 Oud. / Kalwers **10j. 3md. / 8**

- DK 962515 - SP **-**
 0041273723 - 18-SEP-96 **2%**

PAVO T 970151 - A **-**
 0043070804 - 25-SEP-97 **0%**

LANGLYF R 990027 - SP **-**
 0042728063 - 08-SEP-99 **8%**

LANGLYF AJR 910006 - SP **-**
 0025070970 - 10-JUN-91 **2%**

NONNIE CR 980030 - SP **-**
 0040477556 - 18-AUG-98 **5%**

NONNIE CR 920015 - SP **-**
 0027023688 - 31-AUG-92 **0%**

MEGA M 020016 - SP **-**
 0046944336 - 05-SEP-02 **10%**

CASMAN CHK 960018 - A **-**
 0043285311 - 05-OCT-96 **0%**

Seleksie waarde	KALF GEMAK		MELK	KALFGROEI	ONDERHOUD	GROEI TOETS						VRUGBAARHEID			KOEI WAARDE	GROEI WAARDE	PRODUKSIE WAARDE
	★★★	★★★	★★★★	★★★★	★★							★★★					
	93 ₅₂		113 ₅₅	112 ₇₂	89 ₂₆								92 ₃₅				
Geb gew	97	72	113	112	111	109	108	-	107	108	110	75	99	112 ₄₆			
Geb Mat																	
Teeltwaarde index																	
Teeltwaarde	1.01 ₅₂	1.11 ₄₇	5.8 ₅₅	8.7 ₇₂	13.8 ₆₂	21 ₂₆	125 ₈	34 ₈	-	32 ₁₃	18 ₁₆	17.4 ₁₆	18.8 ₄₆	-1.7 ₂₄	In Vitro		
Gewig/Index															Spoelings/Embrios/Kalwers: 0/0/0 Toetse: BM en TB		
Opmerkings:	Donkerrooi, horings, met rooi verskalf CHK170308 - vader R14-0147														Inent. Botuthrax, Hiprabovis 4, S19, Maart 2017 - Knopvel en Slenkdal		

LOT 27

0474426, A.J. KRIEL, POSBUS 334,BOSHOF,8340,(T)082-805 0926



Name Ident. number Sex Section Reg. number Birth Date
CASMAN CHK 140145 FEMALE SP 0080682560 13-DEC-14

CHK K140145

DNA: -

CASMAN CHK 140145 - SP P
 0080682560 - 13-DEC-14 2%

AFC - ICP -
 RI -
 Age / Calves 3j. 1md. / -
 Avg. Wt/Calv: / 0
 CALVINGS -

NONNIE CR 030069 - SP -
 0047594817 - 10-SEP-03 9%

CASMAN CHK 110097 - B P
 0074227869 - 11-NOV-11 0%

AFC 37.1 ICP 360
 RI 104 Avg. Wt/Calv: 98 / 1
 Age / Calves 6j. 2md. / 4

NONNIE CR 980030 - SP -
 0040477556 - 18-AUG-98 5%

NONNIE CR 920015 - SP -
 0027023688 - 31-AUG-92 0%

AFC 25.1 ICP 425
 RI 105 Avg. Wt/Calv: 101 / 12
 Age / Calves 18j. 6md. / 15

CASMAN CHK 060026 - SP P
 0063234645 - 27-SEP-06 5%

CASMAN CHK 042100 - A -
 0065029118 - 16-NOV-04 0%

AFC - ICP 503
 RI 84 Avg. Wt/Calv: / 0
 Age / Calves 13j. 2md. / 4

NONNIE CR 950008 - SP -
 0034205328 - 26-AUG-95 7%

LANGLYF AJR 870033 - SP -
 0014952352 - 14-OCT-87 0%

LANGLYF AJR 890029 - SP -
 0020087722 - 08-SEP-89 1%

ZW KOCE HT 800017 - SP -
 0006617500 - 02-NOV-80 0%

MEGA M 030011 - SP P
 0048821276 - 25-AUG-03 5%

CASMAN CHK 950063 - B -
 0040579021 - 15-NOV-95 2%

--- MS -
 0135431206 - 01-JAN-40 -%

--- -
 --- -%

Selection value	CALVING EASE		MILK	CALF GRWTH.	MAINTENANCE	GROWTH TEST					FERTILITY			COW VALUE	GROWTH VALUE	PRODUCTION VALUE	
	☆☆☆	☆☆☆	☆☆☆	☆☆☆	☆☆☆	ADG	Kleiber	FCR	Length	Height	SC	AFC	ICP				☆☆☆
	95 ₄₉		103 ₅₄	107 ₇₀	92 ₃₂									65 ₄₀			
Birth wght	95	96	103	107	111	108	109	111	-	104	107	104	61	75	96 ₄₈	106 ₂₂	97 ₄₃
Birth Mat																	
Breeding value index	1.15 ₄₉	.29 ₄₇	2.7 ₅₄	7 ₇₀	13.8 ₆₂	18 ₃₂	125 ₁₉	38 ₁₉	-	29 ₂₂	18 ₂₄	14.6 ₂₃	29.9 ₄₉	3.7 ₃₂	In Vitro		
Breeding value															Flushings/Embrios/Calves: 0/0/0		
Weights/Index				160 (98)	167(101)	262(105)									Tests: BM en TB		
Remarks: Donkerrooi, poenskop, swaar dragtig															Vacc. Botuthrax, Hiprabovis 4, S19, Maart 2017 - Knopvel en Slenkdal		

LOT 28

0480068, M. VAN NIEKERK, POSBUS 110259,HADISON PARK,8306,(T)0832698443



Naam Ident. nommer Geslag Afdeling Reg. nommer Geboorte Datum
GANNA GA 110637 VROULIK BS 0075451542 15-OCT-11

GA110637

DNS: -

GANNA GA 110637 - BS -
 0075451542 - 15-OCT-11 0%

OEK - TKP 337
 RI 122
 Oud. / Kalwers 6j. 3md. / 4
 Gem SI/Kalf: 112 / 4
 KALWINGS
 01/14 ,12/14 ,
 11/15 ,11/16

--- -
 --- -%

--- -
 --- -%

Gem SI/Kalf: -

--- -
 --- -%

--- -
 --- -%

Gem SI/Kalf: -

--- -
 --- -%

--- -
 --- -%

Gem SI/Kalf: -

--- -
 --- -%

--- -
 --- -%

--- -
 --- -%

--- -
 --- -%

--- -
 --- -%

--- -
 --- -%

Seleksie waarde	KALF GEMAK		MELK	KALFGROEI	ONDERHOUD	GROEI TOETS					VRUGBAARHEID			KOEI WAARDE	GROEI WAARDE	PRODUKSIE WAARDE	
	☆☆	☆☆☆☆	☆☆☆☆	☆☆☆☆	☆☆☆☆	GDT	Kleiber	VOV	Lengte	Hoogte	SO	OEK	TKP				☆☆☆
	73 ₆₀		134 ₆₉	113 ₅₅	-									108 ₁₂			
Geb gew	78	70	134	113	-	-	-	-	-	-	-	-	-	104	-	-	-
Geb Mat																	
Teeltwaarde index	2.59 ₅₉	1.21 ₆₅	12.1 ₆₉	8.9 ₅₅	-	-	-	-	-	-	-	-	-	-5.1 ₂₃	-	In Vitro	
Teeltwaarde															Spoelings/Embrios/Kalwers: 0/0/0		
Gewig/Index				- (-)	-	-	-	-	-	-	-	-	-		Toetse: BM en TB		
Opmerkings: Op 15/12/2017 3 Maande dragtig van W9/25. Poenskop, Rooi															Inent. Supavax, Respiravax		

LOT 29

0480068, M. VAN NIEKERK, POSBUS 110259, HADISON PARK, 8306, (T)0832698443



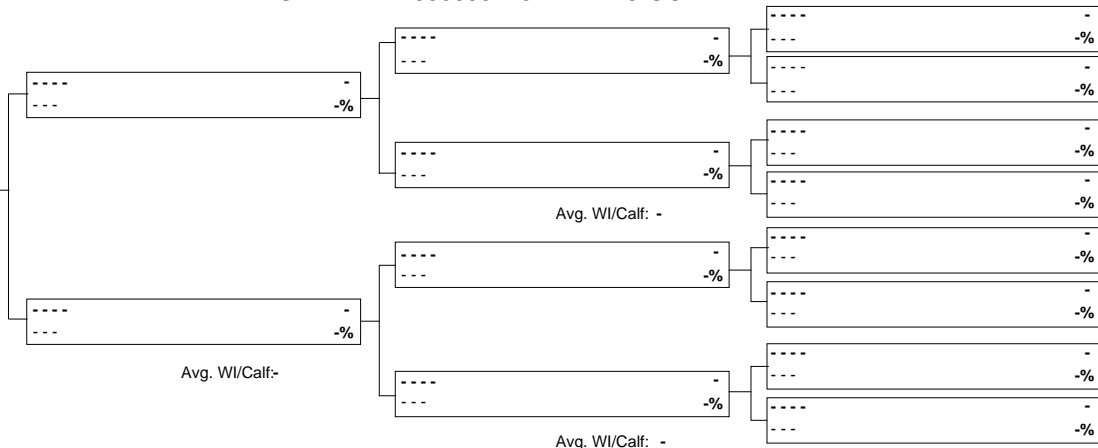
Name: **GANNA** Ident. number: **GA 120176** Sex: **FEMALE** Section: **BS** Reg. number: **0080351281** Birth Date: **29-OCT-12**

GA 120176

DNA: -

GANNA GA 120176 - BS
0080351281 - 29-OCT-12 **0%**

AFC - ICP **338**
RI **122**
Age / Calves **5j. 2md. / 3**
Avg. WI/Calf: **103 / 3**
CALVINGS
03/15 , 01/16 , 01/17



Selection value	CALVING EASE		MILK		CALF GRWTH.		MAINTENANCE			GROWTH TEST					FERTILITY			COW VALUE	GROWTH VALUE	PRODUCTION VALUE	
	★★	★★★	★★★	★★★	★★★	★★★	ADG	Kleiber	FCR	Length	Height	SC	AFC	ICP							
	83 ₅₆		102 ₅₇		98 ₄₃		-	-	-	-	-	-	-	-	-	-	-	-	-	-	-
Birth wght	87	64	102		98		-	-	-	-	-	-	-	-	-	-	-	-	-	-	-
Birth Mat																					
Breeding value index	1.81 ₅₅	1.39 ₆₁	2.7 ₅₇		3.6 ₄₃		-	-	-	-	-	-	-	-	-	-	-	-	-	-	-
Breeding value																					
Weights/Index																					
Remarks:	Op 15/12/2017 5 Maande dragtig van W9/25. Poenskop, rooi																				
	In Vitro Flushings/Embrios/Calves: 0/0/0 Tests: BM en TB Vacc. Supavax, Respiravax																				

LOT 30

0480068, M. VAN NIEKERK, POSBUS 110259, HADISON PARK, 8306, (T)0832698443



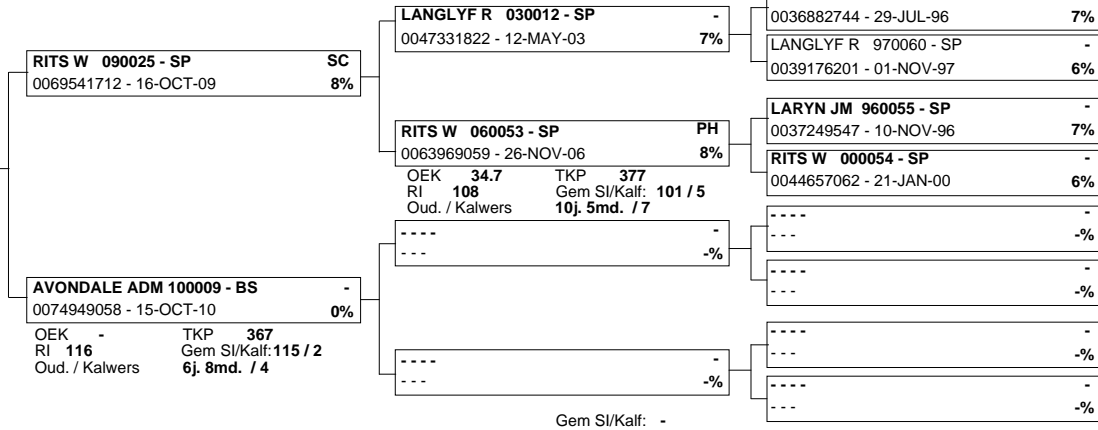
Naam: **GANNA** Ident. nommer: **GA 130149** Geslag: **VROULIK** Afdeling: **A** Reg. nommer: **0078687951** Geboorte Datum: **24-OCT-13**

GA 130149

DNS: -

GANNA GA 130149 - A
0078687951 - 24-OCT-13 **0%**

OEK **25.7** TKP **421**
RI **116**
Oud. / Kalwers **4j. 3md. / 2**
Gem SI/Kalf: **106 / 1**
KALWINGS
12/15 , 02/17



Seleksie waarde	KALF GEMAK		MELK		KALFGROEI		ONDERHOUD			GROEI TOETS					VRUGBAARHEID			KOEI WAARDE	GROEI WAARDE	PRODUKSIE WAARDE
	★	★★	★★★	★★★	★★★	★★★	GDT	Kleiber	VOV	Lengte	Hoogte	SO	OEK	TKP						
	79 ₇₄		115 ₅₇		105 ₆₉		89 ₂₂													
Geb gew	83	72	115		105		108	111	104	100	-	108	106	96	104	108				
Geb Mat																				
Teeltwaarde index	2.19 ₇₅	1.11 ₆₂	6.4 ₅₇		6 ₆₉		11.6 ₂₄	21 ₂₂	111 ₁₆	25 ₁₈	-	32 ₂₁	17 ₂₂	11.1 ₂₁	-4.5 ₂₃	-3.7 ₁₅				
Teeltwaarde																				
Gewig/Index	35				224 (114)		-	-	-	-	-	-	-	-	-	-				
Opmerkings:	Op 15/12/2017 3 Maande dragtig van W9/25, Poenskop, geel																			
	In Vitro Spoelings/Embrios/Kalwers: 0/0/0 Toetse: BM en TB Inent. Supavax, Respiravax																			

LOT 31

0480068, M. VAN NIEKERK, POSBUS 110259, HADISON PARK, 8306, (T)0832698443



Name: **GANNA** Ident. number: **GA 150034** Sex: **FEMALE** Section: **SP** Reg. number: **0082943283** Birth Date: **13-DEC-15**

GA 150034

DNA: -

GANNA GA 150034 - SP P
0082943283 - 13-DEC-15 4%

AFC - ICP -
RI -
Age / Calves 2j. 1md. / -
Avg. Wt/Calv: / 0
CALVINGS -

ALPHA OMEGA AM 080051 - SP -
0067758946 - 29-OCT-08 4%

WEST FRONT WF 080081 - B SC
0067873810 - 20-NOV-08 5%

AFC 31.5 ICP 386
RI 109 Avg. Wt/Calv: 96 / 4
Age / Calves 9j. 2md. / 7

RITS W 991232 - SP P
0043309285 - 31-DEC-99 11%

NONNIE CR 020058 - B P
0046637880 - 15-OCT-02 4%

AFC 25.8 ICP 362
RI 118 Avg. Wt/Calv: 98 / 10
Age / Calves 13j. 5md. / 12

- WF 040005 - SP P
0049728082 - 20-AUG-04 5%

WEST FRONT WF 050006 - A -
0061781126 - 24-JUL-05 0%

AFC 27.4 ICP 406
RI 109 Avg. Wt/Calv: 107 / 6
Age / Calves 12j. 6md. / 10

SIGIDI HKL 950022 - SP -
0038230934 - 02-NOV-95 19%

RITS W 960071 - SP -
0038159448 - 30-JUN-96 6%

ZW BOOMERANG BG 960092 - SP -
0043293224 - 30-OCT-96 9%

BUROWILL ASE 990019 - A -
0042300368 - 14-JUN-99 0%

NONNIE CR 980030 - SP -
0040477556 - 18-AUG-98 5%

NONNIE CR 970007 - SP -
0038752150 - 12-AUG-97 5%

NONNIE CR 010032 - SP SC
0045174513 - 23-AUG-01 7%

FORDOUN FT 940031 - A -
0040237877 - 20-AUG-94 0%

Selection value	CALVING EASE		MILK	CALF GRWTH.	MAINTENANCE	GROWTH TEST					FERTILITY			COW VALUE	GROWTH VALUE	PRODUCTION VALUE
	★★★	★★★	★★	★★★	★★★★						★★★					
	106 ₇₃		83 ₅₃	94 ₇₂	111 ₂₃								97 ₃₀			
Birth wght	Birth Mat	Milk	Wean wght	Post wean	Mature wght	ADG	Kleiber	FCR	Length	Height	SC	AFC	ICP	★★	★★★	★★
106	94	83	94	93	89	88	93	-	82	80	86	100	97	89 ₄₄	93 ₃₁	88 ₄₁
0.21 ₇₅	0.36 ₅₅	-3.1 ₅₃	2 ₇₂	3.9 ₃₂	-3 ₂₃	62 ₂₇	15 ₂₇	-	9 ₃₃	2 ₃₅	6.8 ₃₄	-1.8 ₄₁	-1.2 ₁₉	In Vitro		
34			196 (98)	-	- (-)									Flushings/Embrios/Calves: 0/0/0 Tests: BM en TB		
Remarks: Op 15/12/2017 2 Maande dragtig van W9/25. Onthoring, geel.														Vacc. Supavax, Respiravax		

LOT 32

0480068, M. VAN NIEKERK, POSBUS 110259, HADISON PARK, 8306, (T)0832698443



Naam: **GANNA** Ident. nommer: **GA 150351** Geslag: **VROULIK** Afdeling: **BS** Reg. nommer: **0085764447** Geboorte Datum: **21-DEC-15**

GA 150351

DNS: C17-12016

GANNA GA 150351 - BS -
0085764447 - 21-DEC-15 0%

OEK - TKP -
RI -
Oud. / Kalwers 2j. 1md. / -
Gem SI/Kalf: / 0
KALWINGS -

GREAT KAROO XY 080007 - SP SC
0066882127 - 07-APR-08 4%

Gem SI/Kalf: -

GENERAALSDRAAI H 000036 - SP -
0044438521 - 23-OCT-00 4%

GREAT KAROO XY 060006 - B -
0062419718 - 06-JAN-06 2%

OEK 27 TKP 396
RI 111 Gem SI/Kalf: 91 / 7
Oud. / Kalwers 10j. 2md. / 8

Gem SI/Kalf: -

BLOMVLEI SW 950010 - SP -
0034222281 - 06-AUG-95 7%

GENERAALSDRAAI H 980028 - SP -
0042131458 - 22-SEP-98 2%

BLOMVLEI SW 990015 - SP -
0042452524 - 28-SEP-99 3%

GREAT KAROO XY 030020 - A -
0047962535 - 07-OCT-03 0%

Gem SI/Kalf: -

Gem SI/Kalf: -

Gem SI/Kalf: -

Gem SI/Kalf: -

Gem SI/Kalf: -

Seleksie waarde	KALF GEMAK		MELK	KALFGROEI	ONDERHOUD	GROEI TOETS					VRUGBAARHEID			KOEI WAARDE	GROEI WAARDE	PRODUKSIE WAARDE
	★★★	★★★	★★★	★★	★★★★						★★★					
	99 ₃₇		103 ₃₁	89 ₃₀	110 ₁₇								94 ₁₈			
Geb gew	Geb Mat	Melk	Speen gew	Naspeen	Volw. gewig	GDT	Kleiber	VOV	Lengte	Hoogte	SO	OEK	TKP		★★★	
100	87	103	89	92	90	104	113	-	100	103	91	117	88			
0.71 ₃₇	0.58 ₃₃	2.8 ₃₁	0.1 ₃₀	3.1 ₂₄	-2 ₁₇	111 ₁₉	41 ₁₉	-	25 ₂₁	15 ₂₁	8.9 ₂₁	15.1 ₂₂	0.7 ₁₃	In Vitro		
-			- (-)	-	- (-)									Spoelings/Embrios/Kalwers: 0/0/0 Toetse: BM en TB		
Opmerkings: Op 15/12/2017 5 Maande dragtig van W9/25. Onthoring, donker geel														Inent. Supavax, Respiravax		

LOT 33

0480068, M. VAN NIEKERK, POSBUS 110259, HADISON PARK, 8306, (T)0832698443



Name Ident. number Sex Section Reg. number Birth Date
GANNA GA 150033 FEMALE SP 0082943275 09-DEC-15

GA 150033

DNA: -

GANNA GA 150033 - SP P
 0082943275 - 09-DEC-15 6%

AFC - ICP -
 RI -
 Age / Calves 2j. 1md. / -
 Avg. Wt/Calv: / 0
 CALVINGS -

ALPHA OMEGA AM 080051 - SP -
 0067758946 - 29-OCT-08 4%

GANNA GA 130131 - B P
 0078687993 - 21-SEP-13 7%

AFC 26.6 ICP 410
 RI 115 Avg. Wt/Calv: 108 / 1
 Age / Calves 4j. 4md. / 2

RITS W 991232 - SP P
 0043309285 - 31-DEC-99 11%

NONNIE CR 020058 - B P
 0046637880 - 15-OCT-02 4%

AFC 25.8 ICP 362
 RI 118 Avg. Wt/Calv: 98 / 10
 Age / Calves 13j. 5md. / 12

RITS W 090025 - SP SC
 0069541712 - 16-OCT-09 8%

WEST FRONT WF 070022 - SP P
 0066808304 - 08-NOV-07 4%

AFC 29.2 ICP 391
 RI 111 Avg. Wt/Calv: 99 / 4
 Age / Calves 10j. 2md. / 8

SIGIDI HKL 950022 - SP -
 0038230934 - 02-NOV-95 19%

RITS W 960071 - SP -
 0038159448 - 30-JUN-96 6%

ZW BOOMERANG BG 960092 - SP -
 0043293224 - 30-OCT-96 9%

BUROWILL ASE 990019 - A -
 0042300368 - 14-JUN-99 0%

LANGLYF R 030012 - SP -
 0047331822 - 12-MAY-03 7%

RITS W 060053 - SP PH
 0063969059 - 26-NOV-06 8%

WEST FRONT WF 040015 - SP SC
 0049627607 - 23-OCT-04 4%

BLOMVLEI SW 050009 - SP -
 0049907652 - 28-MAR-05 3%

Selection value	CALVING EASE		MILK	CALF GRWTH.	MAINTENANCE	GROWTH TEST					FERTILITY			COW VALUE	GROWTH VALUE	PRODUCTION VALUE	
	★★★	★★	★★★	★★★	★★★	ADG	Kleiber	FCR	Length	Height	SC	AFC	ICP				
	96 ₇₂	88 ₄₇	102 ₇₀	108 ₁₇										102 ₂₅			
Birth wght	Birth Mat	Milk	Wean wght	Post wean	Mature wght	ADG	Kleiber	FCR	Length	Height	SC	AFC	ICP				
97	95	88	102	96	92	89	86	-	89	84	90	106	101	93 ₄₀	93 ₂₉	92 ₃₈	
1.04 ₇₄	.31 ₅₀	-1.5 ₄₇	5.1 ₇₀	5.4 ₂₉	1 ₁₇	65 ₂₅	7 ₂₅	-	15 ₃₁	4 ₃₃	8.6 ₃₃	-6.6 ₃₆	-2 ₁₄	In Vitro			
34			213 (108)	-	- (-)									Flushings/Embrios/Calves: 0/0/0 Tests: BM en TB			
Remarks: Op 15/12/2017 6 Maande dragtig van W9/25. Poenskop, geel														Vacc. Supavax, Respiravax			

LOT 34

0474426, A.J. KRIEL, POSBUS 334, BOSHOF, 8340, (T)082-805 0926



Naam Ident. nommer Geslag Afdeling Reg. nommer Geboorte Datum
CASMAN CHK 150183 VROULIK SP 0082925637 04-DEC-15

CHK C150183

DNS: -

CASMAN CHK 150183 - SP -
 0082925637 - 04-DEC-15 3%

OEK - TKP -
 RI -
 Oud. / Kalwers 2j. 1md. / -
 Gem SI/Kalf: / 0
 KALWINGS -

EIRA AVR 080051 - SP -
 0067527119 - 29-OCT-08 4%

CASMAN CHK 070192 - B P
 0065567661 - 24-OCT-07 0%

OEK 36.4 TKP 371
 RI 108 Gem SI/Kalf: 103 / 5
 Oud. / Kalwers 10j. 3md. / 8

RITS W 030013 - SP -
 0048153241 - 12-JUL-03 7%

NONNIE CR 010023 - SP -
 0044861565 - 08-AUG-01 4%

OEK 26.4 TKP 369
 RI 116 Gem SI/Kalf: 101 / 8
 Oud. / Kalwers 12j. 4md. / 10

MEGA M 020016 - SP -
 0046944336 - 05-SEP-02 10%

CASMAN CHK 950032 - A -
 0040578981 - 10-OCT-95 0%

OEK - TKP 472
 RI 91 Gem SI/Kalf: 102 / 1
 Oud. / Kalwers 13j. 9md. / 8

LARYN JM 960055 - SP -
 0037249547 - 10-NOV-96 7%

RITS W 002015 - SP -
 0043309350 - 30-JAN-00 6%

NONNIE CR 980011 - SP -
 0040477457 - 28-JUL-98 5%

NONNIE CR 920015 - SP -
 0027023688 - 31-AUG-92 0%

NONNIE CR 990005 - SP -
 0042339689 - 20-JUL-99 6%

ZW BOOMERANG BG 990029 - SP -
 0044845923 - 07-NOV-99 6%

---- -
 --- -
 --- -

---- -
 --- -

Seleksie waarde	KALF GEMAK		MELK	KALFGROEI	ONDERHOUD	GROEI TOETS					VRUGBAARHEID			KOEI WAARDE	GROEI WAARDE	PRODUKSIE WAARDE	
	★★★	★★	★★★	★★★	★★★	GDT	Kleiber	VOV	Lengte	Hoogte	SO	OEK	TKP				
	117 ₄₈	76 ₅₆	82 ₇₂	113 ₂₁										105 ₃₆			
Geb gew	Geb Mat	Melk	Speen gew	Naspeen	Volw. gewig	GDT	Kleiber	VOV	Lengte	Hoogte	SO	OEK	TKP				
115	106	76	82	79	87	89	93	-	89	90	92	92	108	83 ₄₅	-	-	-
-54 ₄₉	-07 ₄₂	-5 ₅₆	-2.5 ₇₂	-3.9 ₆₂	-5 ₂₁	65 ₁₄	16 ₁₄	-	16 ₁₇	8 ₁₉	9.6 ₂₀	4.9 ₄₇	-3.7 ₂₅	In Vitro			
-			181 (103)	202 (96)	228 (92)									Spoelings/Embrios/Kalwers: 0/0/0 Toetse: BM en TB			
Opmerkings: Rooi, poenskop														Inent. Supavax, Hiprabovis 4, RB51, Maart 2017 - Knopvel en Slenkdal			

LOT 35

0474426, A.J. KRIEL, POSBUS 334, BOSHOF, 8340, (T)082-805 0926



Name Ident. number Sex Section Reg. number Birth Date
CASMAN **CHK 150140** **FEMALE** **B** **0082761669** **25-NOV-15**

CHK M150140

DNA: -

CASMAN CHK 150140 - B -
 0082761669 - 25-NOV-15 **0%**
 AFC - ICP -
 RI -
 Age / Calves **2j. 2md. / -**
 Avg. Wl/Calv: **/ 0**
 CALVINGS
 -

EIRA AVR 080051 - SP -
 0067527119 - 29-OCT-08 **4%**

CASMAN CHK 100043 - A -
 0077067247 - 29-OCT-10 **0%**
 AFC - ICP **490**
 RI **87** Avg. Wl/Calv: **105 / 3**
 Age / Calves **7j. 2md. / 4**

RITS W 030013 - SP -
 0048153241 - 12-JUL-03 **7%**

NONNIE CR 010023 - SP -
 0044861565 - 08-AUG-01 **4%**
 AFC **26.4** ICP **369**
 RI **116** Avg. Wl/Calv: **101 / 8**
 Age / Calves **12j. 4md. / 10**

---- -
 --- -%

---- -
 --- -%

---- -
 --- -%

---- -
 --- -%

---- -
 --- -%

LARYN JM 960055 - SP -
 0037249547 - 10-NOV-96 **7%**

RITS W 002015 - SP -
 0043309350 - 30-JAN-00 **6%**

NONNIE CR 980011 - SP -
 0040477457 - 28-JUL-98 **5%**

NONNIE CR 920015 - SP -
 0027023688 - 31-AUG-92 **0%**

---- -
 --- -%

---- -
 --- -%

---- -
 --- -%

---- -
 --- -%

---- -
 --- -%

Avg. Wl/Calv: -

Selection value	CALVING EASE ★★★★		MILK ★★	CALF GRWTH. ★★	MAINTENANCE ★★★★		GROWTH TEST					FERTILITY ★★★★			COW VALUE 85 ₄₂	GROWTH VALUE - .	PRODUCTION VALUE - .	
	110 ₄₆	83 ₅₂	88 ₇₀	101 ₂₁	ADG	Kleiber	FCR	Length	Height	SC	AFC	ICP	101 ₃₁					
Birth wght	110	99	83	88	87	99	97	99	-	97	95	92	95	103	★★			
Birth Mat																		
Milk																		
Wean wght																		
Post wean																		
Mature wght																		
ADG																		
Kleiber																		
FCR																		
Length																		
Height																		
SC																		
AFC																		
ICP																		
In Vitro																		
Flushings/Embrios/Calves:																	0/0/0	
Tests: BM en TB																		
Remarks:	Rooi, poenskop																	
																Vacc. Supavax, Hiprabovis 4, RB51, Maart 2017 - Knopvel en Slenkdal		

LOT 36

0474426, A.J. KRIEL, POSBUS 334, BOSHOF, 8340, (T)082-805 0926



Naam Ident. nommer Geslag Afdeling Reg. nommer Geboorte Datum
CASMAN **CHK 150102** **VROULIK** **SP** **0082680216** **18-NOV-15**

CHK K150102

DNS: -

CASMAN CHK 150102 - SP -
 0082680216 - 18-NOV-15 **4%**
 OEK - TKP -
 RI -
 Oud. / Kalwers **2j. 2md. / -**
 Gem SI/Kalf: **/ 0**
 KALWINGS
 -

EIRA AVR 080051 - SP -
 0067527119 - 29-OCT-08 **4%**

CASMAN CHK 050149 - B **P**
 0061739413 - 11-OCT-05 **2%**
 OEK **35.3** TKP **371**
 RI **110** Gem SI/Kalf: **97 / 5**
 Oud. / Kalwers **12j. 3md. / 10**

RITS W 030013 - SP -
 0048153241 - 12-JUL-03 **7%**

NONNIE CR 010023 - SP -
 0044861565 - 08-AUG-01 **4%**
 OEK **26.4** TKP **369**
 RI **116** Gem SI/Kalf: **101 / 8**
 Oud. / Kalwers **12j. 4md. / 10**

PAVO T 990015 - SP -
 0042391904 - 21-SEP-99 **6%**

CASMAN CHK 970048 - A -
 0044296705 - 26-OCT-97 **0%**
 OEK - TKP **428**
 RI **102** Gem SI/Kalf: **100 / 1**
 Oud. / Kalwers **11j. 6md. / 7**

LARYN JM 960055 - SP -
 0037249547 - 10-NOV-96 **7%**

RITS W 002015 - SP -
 0043309350 - 30-JAN-00 **6%**

NONNIE CR 980011 - SP -
 0040477457 - 28-JUL-98 **5%**

NONNIE CR 920015 - SP -
 0027023688 - 31-AUG-92 **0%**

- DK 962515 - SP -
 0041273723 - 18-SEP-96 **2%**

GENERAALSDRAAI H 950039 - SP -
 0035304542 - 13-OCT-95 **9%**

BILTONG GCB 910006 - SP -
 0025193194 - 08-NOV-91 **1%**

---- -
 --- -%

Seleksie waarde	KALF GEMAK ★★★★		MELK ★★	KALFGROEI ★★	ONDERHOUD ★★★★		GROEI TOETS					VRUGBAARHEID ★★★★			KOEI WAARDE 76 ₄₅	GROEI WAARDE 90 ₂₀	PRODUKSIE WAARDE 77 ₄₀	
	118 ₄₉	77 ₅₆	75 ₇₂	117 ₂₃	GDT	Kleiber	VOV	Lengte	Hoogte	SO	OEK	TKP	95 ₃₄					
Geb gew	117	101	77	75	76	83	85	93	-	84	84	85	115	90				
Geb Mat																		
Melk																		
Speen gew																		
Naspeen																		
Volw. gewig																		
GDT																		
Kleiber																		
VOV																		
Lengte																		
Hoogte																		
SO																		
OEK																		
TKP																		
In Vitro																		
Spoolings/Embrios/Kalwers:																	0/0/0	
Toetse: BM en TB																		
Opmerkings:	Rooi, poenskop																	
																Inent. Supavax, Hiprabovis 4, RB51, Maart 2017 - Knopvel en Slenkdal		

LOT 37

0480068, M. VAN NIEKERK, POSBUS 110259, HADISON PARK, 8306, (T)0832698443



Name: **GANNA** Ident. number: **GA 150473** Sex: **FEMALE** Section: **B** Reg. number: **0081598666** Birth Date: **15-JAN-15**

GA 150473

DNA: C17-12022

GANNA GA 150473 - B - 7%
0081598666 - 15-JAN-15

AFC - ICP -
RI -
Age / Calves 2j. 12md. / -
Avg. WI/Calv: / 0
CALVINGS

NONNIE CR 070034 - SP P 8%
0064821648 - 28-JUN-07

WEST FRONT WF 050006 - A - 0%
0061781126 - 24-JUL-05

AFC 27.4 ICP 406
RI 109 Avg. WI/Calv: 107 / 6
Age / Calves 12j. 6md. / 10

LANGLYF R 040037 - SP SC 6%
0049771645 - 03-SEP-04

NONNIE CR 050004 - SP - 15%
0049585979 - 26-JAN-05

AFC 29 ICP 442
RI 103 Avg. WI/Calv: 94 / 5
Age / Calves 8j. 11md. / 6

NONNIE CR 010032 - SP SC 7%
0045174513 - 23-AUG-01

FORDOUN FT 940031 - A - 0%
0040237877 - 20-AUG-94

AFC - ICP 452
RI 96 Avg. WI/Calv: 97 / 4
Age / Calves 13j. 5md. / 9

LANGLYF R 010014 - SP - 5%
0045469970 - 22-AUG-01

LANGLYF R 990008 - SP - 5%
0042678433 - 24-AUG-99

NONNIE CR 960004 - SP - 7%
0036882744 - 29-JUL-96

NONNIE CR 020054 - SP SC 11%
0046637781 - 10-OCT-02

NONNIE CR 960004 - SP - 7%
0036882744 - 29-JUL-96

NONNIE CR 980033 - SP - 5%
0040477572 - 20-AUG-98

---- -
--- -%

---- -
--- -%

Selection value	CALVING EASE		MILK		CALF GRWTH.		MAINTENANCE		GROWTH TEST					FERTILITY			COW VALUE	GROWTH VALUE	PRODUCTION VALUE	
	★★★	★★★	★★★	★★★	★★★	★★★	★★★	★★★	ADG	Kleiber	FCR	Length	Height	SC	AFC	ICP				★★★
	107 ₇₂	91 ₄₉	106 ₅₆	102 ₁₃													97 ₂₆	106 ₃₆	-	-
Birth wght	113	91	106	108	98	103	102	-	102	104	101	75	105							
Birth Mat																				
Breeding value index	.33 ₇₄	-.34 ₅₂	-.6 ₄₉	6.3 ₅₆	11.8 ₃₂	6 ₁₃	108 ₇	26 ₇	-	27 ₁₃	16 ₁₆	13.2 ₁₅	18.6 ₃₇	-3 ₁₅						
Breeding value																				
Weights/Index	33		161 (100)	-	-	- (-)														
Remarks:	Op 15/12/2017 6.5 Maande dragtig van W9/25. Poenskop, rooi																In Vitro			
																	Flushings/Embrios/Calves: 0/0/0			
																	Tests: BM en TB			
																	Vacc. Supavax, Respiravax			

LOT 38

0480068, M. VAN NIEKERK, POSBUS 110259, HADISON PARK, 8306, (T)0832698443



Naam: **GANNA** Ident. nommer: **GA 150443** Geslag: **VROULIK** Afdeling: **SP** Reg. nommer: **0081116634** Geboorte Datum: **11-FEB-15**

GA 150443

DNS: -

GANNA GA 150443 - SP P 7%
0081116634 - 11-FEB-15

OEK - TKP -
RI -
Oud. / Kalwers 2j. 11md. / -
Gem SI/Kalf: / 0
KALWINGS

NONNIE CR 070034 - SP P 8%
0064821648 - 28-JUN-07

GANNA GA 110008 - SP - 6%
0073359077 - 02-JUN-11

OEK 27.8 TKP 504
RI 106 Gem SI/Kalf: 100 / 2
Oud. / Kalwers 5j. 1md. / 2

LANGLYF R 040037 - SP SC 6%
0049771645 - 03-SEP-04

NONNIE CR 050004 - SP - 15%
0049585979 - 26-JAN-05

OEK 29 TKP 442
RI 103 Gem SI/Kalf: 94 / 5
Oud. / Kalwers 8j. 11md. / 6

GENERAALS DRAAI H 990022 - SP - 4%
0043347723 - 13-SEP-99

WEST FRONT WF 070022 - SP P 4%
0066808304 - 08-NOV-07

OEK 29.2 TKP 391
RI 111 Gem SI/Kalf: 99 / 4
Oud. / Kalwers 10j. 2md. / 8

LANGLYF R 010014 - SP - 5%
0045469970 - 22-AUG-01

LANGLYF R 990008 - SP - 5%
0042678433 - 24-AUG-99

NONNIE CR 960004 - SP - 7%
0036882744 - 29-JUL-96

NONNIE CR 020054 - SP SC 11%
0046637781 - 10-OCT-02

NONNIE CR 920018 - SP - 3%
0027023704 - 14-OCT-92

- J 911618 - SP - 21%
0033822297 - 27-AUG-91

WEST FRONT WF 040015 - SP SC 4%
0049627607 - 23-OCT-04

BLOMVLEI SW 050009 - SP - 3%
0049907652 - 28-MAR-05

Seleksie waarde	KALF GEMAK		MELK		KALFGROEI		ONDERHOUD		GROEI TOETS					VRUGBAARHEID			KOEI WAARDE	GROEI WAARDE	PRODUKSIE WAARDE	
	★★★	★★	★★★	★★★	★★★	★★★	★★★	★★★	GDT	Kleiber	VOV	Lengte	Hoogte	SO	OEK	TKP				★★★
	105 ₇₀	82 ₄₄	110 ₆₉	97 ₁₅													96 ₂₆	106 ₃₉	-	-
Geb gew	119	82	110	111	103	100	97	-	101	101	105	84	101							
Geb Mat																				
Teeltwaarde index	.6 ₇₃	-.53 ₄₆	-3.2 ₄₄	7.9 ₆₉	13.4 ₃₂	13 ₁₅	98 ₉	21 ₉	-	26 ₁₅	14 ₁₈	15.1 ₁₈	11.4 ₃₈	-2.1 ₁₅						
Teeltwaarde																				
Gewig/Index	34		187 (107)	-	-	- (-)														
Opmerkings:	Op 15/12/2017 3 Maande dragtig van W9/25. Poenskop, geel																In Vitro			
																	Spoelings/Embrios/Kalwers: 0/0/0			
																	Toetse: BM en TB			
																	Inent. Supavax, Respiravax			

LOT 39

0480068, M. VAN NIEKERK, POSBUS 110259, HADISON PARK, 8306, (T)0832698443



Name: **GANNA** Ident. number: **GA 150040** Sex: **FEMALE** Section: **B** Reg. number: **0082943341** Birth Date: **15-DEC-15**

GA 150040

DNA: -

GANNA GA 150040 - B H
0082943341 - 15-DEC-15 3%

AFC - ICP -
RI -
Age / Calves 2j. 1md. / -
Avg. WI/Calf: / 0
CALVINGS -

ALPHA OMEGA AM 080051 - SP -
0067758946 - 29-OCT-08 4%

GANNA GA 130149 - A P
0078687951 - 24-OCT-13 0%

AFC 25.7 ICP 421
RI 116 Avg. WI/Calf: 106 / 1
Age / Calves 4j. 3md. / 2

RITS W 991232 - SP P
0043309285 - 31-DEC-99 11%

NONNIE CR 020058 - B P
0046637880 - 15-OCT-02 4%

AFC 25.8 ICP 362
RI 118 Avg. WI/Calf: 98 / 10
Age / Calves 13j. 5md. / 12

RITS W 090025 - SP SC
0069541712 - 16-OCT-09 8%

AVONDALE ADM 100009 - BS -
0074949058 - 15-OCT-10 0%

AFC - ICP 367
RI 116 Avg. WI/Calf: 115 / 2
Age / Calves 6j. 8md. / 4

SIGIDI HKL 950022 - SP -
0038230934 - 02-NOV-95 19%

RITS W 960071 - SP -
0038159448 - 30-JUN-96 6%

ZW BOOMERANG BG 960092 - SP -
0043293224 - 30-OCT-96 9%

BUROWILL ASE 990019 - A -
0042300368 - 14-JUN-99 0%

LANGLYF R 030012 - SP -
0047331822 - 12-MAY-03 7%

RITS W 060053 - SP PH
0063969059 - 26-NOV-06 8%

---- -
--- -%

---- -
--- -%

Selection value	CALVING EASE		MILK		CALF GRWTH.		MAINTENANCE		GROWTH TEST					FERTILITY			COW VALUE	GROWTH VALUE	PRODUCTION VALUE
	☆☆☆	☆☆☆	☆☆☆	☆☆☆	☆☆☆	☆☆☆	ADG	Kleiber	FCR	Length	Height	SC	AFC	ICP	☆☆☆	☆☆☆			
	97 ₇₂	95 ₄₆	97 ₆₈	100 ₁₆										97 ₂₃					
Birth wght	82	95	97	95	100	92	87	-	94	87	88	104	96						
Birth Mat	.74	.78 ₄₉	.4 ₄₆	3.2 ₆₈	4.7 ₂₈	9 ₁₆	74 ₂₈	8 ₂₈	-	20 ₃₃	6 ₃₅	7.7 ₃₄	-5 ₃₁	-9 ₁₅					
Breeding value index																			
Breeding value	.8	.78	.4	3.2	4.7	9	74	8	-	20	6	7.7	-5	-9					
Weights/Index	32		211 (106)	-	- (-)														
Remarks:	Op 15/12/2017 3 Maande dragtig van W9/25. Ontoring, geel															In Vitro			
																Flushings/Embrios/Calves: 0/0/0			
																Tests: BM en TB			
																Vacc. -			

LOT 40

0474426, A.J. KRIEL, POSBUS 334, BOSHOF, 8340, (T)082-805 0926



Naam: **CASMAN** Ident. nommer: **CHK 150075** Geslag: **VROULIK** Afdeling: **SP** Reg. nommer: **0082680083** Geboorte Datum: **13-NOV-15**

CHK H150075

DNS: -

CASMAN CHK 150075 - SP -
0082680083 - 13-NOV-15 5%

OEK - TKP -
RI -
Oud. / Kalwers 2j. 2md. / -
Gem SI/Kalf: / 0
KALWINGS -

EIRA AVR 080051 - SP -
0067527119 - 29-OCT-08 4%

CASMAN CHK 070157 - B P
0065568149 - 17-OCT-07 4%

OEK 36.3 TKP 370
RI 109 Gem SI/Kalf: 89 / 4
Oud. / Kalwers 10j. 3md. / 8

RITS W 030013 - SP -
0048153241 - 12-JUL-03 7%

NONNIE CR 010023 - SP -
0044861565 - 08-AUG-01 4%

OEK 26.4 TKP 369
RI 116 Gem SI/Kalf: 101 / 8
Oud. / Kalwers 12j. 4md. / 10

MEGA M 020016 - SP -
0046944336 - 05-SEP-02 10%

CASMAN CHK 010127 - A -
0062942206 - 02-NOV-01 0%

OEK - TKP 379
RI 113 Gem SI/Kalf: / 0
Oud. / Kalwers 7j. 7md. / 2

LARYN JM 960055 - SP -
0037249547 - 10-NOV-96 7%

RITS W 002015 - SP -
0043309350 - 30-JAN-00 6%

NONNIE CR 980011 - SP -
0040477457 - 28-JUL-98 5%

NONNIE CR 920015 - SP -
0027023688 - 31-AUG-92 0%

NONNIE CR 990005 - SP -
0042339689 - 20-JUL-99 6%

ZW BOOMERANG BG 990029 - SP -
0044845923 - 07-NOV-99 6%

LARYN JM 940048 - SP -
0032701617 - 06-NOV-94 5%

---- -
--- -%

Seleksie waarde	KALF GEMAK		MELK	KALFGROEI	ONDERHOUD		GROEI TOETS					VRUGBAARHEID			KOEI WAARDE	GROEI WAARDE	PRODUKSIE WAARDE	
	☆☆☆	☆☆☆	☆☆	☆☆	☆☆☆	☆☆☆	GDT	Kleiber	VOV	Lengte	Hoogte	SO	OEK	TKP				☆☆☆
	122 ₄₈	70 ₅₅	72 ₇₁	120 ₂₀										108 ₃₆				
Geb gew	120	106	70	72	80	81	89	-	80	86	86	96	110					
Geb Mat	-.96 ₄₉	-.09 ₄₃	-6.8 ₅₅	-6.2 ₇₁	-8.6 ₆₀	-12 ₂₀	40 ₁₁	10 ₁₁	-	8 ₁₄	5 ₁₆	6.9 ₁₇	1.6 ₄₇	-4.1 ₂₄				
Teeltwaarde index																		
Teeltwaarde																		
Gewig/Index			164 (91)	200 (94)	226 (91)													
Opmerkings:	Geel, Poenskop															In Vitro		
																Spoelings/Embrios/Kalwers: 0/0/0		
																Toetse: BM en TB		
																Inent. Supavax, Hiprabovis 4, RB51, Maart 2017 - Knopvel en Slenkdal		

LOT 41

0474426, A.J. KRIEL, POSBUS 334, BOSHOF, 8340, (T)082-805 0926



Name Ident. number Sex Section Reg. number Birth Date
CASMAN **CHK 150056** **FEMALE** **SP** **0082679978** **09-NOV-15**

CHK C150056

DNA: -

CASMAN CHK 150056 - SP -
 0082679978 - 09-NOV-15 5%

AFC - ICP -
 RI -
 Age / Calves 2j. 2md. / -
 Avg. Wl/Calv: / 0
 CALVINGS

NONNIE CR 110107 - B P
 0074524919 - 07-OCT-11 6%

CASMAN CHK 120102 - SP H
 0076214584 - 30-NOV-12 3%

AFC 35.3 ICP 390
 RI 101 Avg. Wl/Calv: 102 / 2
 Age / Calves 5j. 1md. / 3

HORSESHOE GNC 080015 - SP P
 0068040252 - 18-OCT-08 6%

BUROWILL ASE 000031 - A -
 0043687425 - 02-OCT-00 27%

AFC 28.3 ICP 360
 RI 117 Avg. Wl/Calv: 103 / 10
 Age / Calves 15j. 5md. / 13

NONNIE CR 030069 - SP -
 0047594817 - 10-SEP-03 9%

CASMAN CHK 070179 - SP P
 0065567612 - 23-OCT-07 3%

AFC 35.9 ICP 371
 RI 109 Avg. Wl/Calv: 106 / 4
 Age / Calves 10j. 3md. / 8

PULU PT 990012 - SP -
 0043000785 - 06-NOV-99 7%

NONNIE CR 990026 - SP -
 0042751669 - 29-AUG-99 9%

ZW BOOMERANG BG 960092 - SP -
 0043293224 - 30-OCT-96 9%

BUROWILL ASE 980047 - BS -
 0043213370 - 15-JAN-98 0%

NONNIE CR 980030 - SP -
 0040477556 - 18-AUG-98 5%

NONNIE CR 920015 - SP -
 0027023688 - 31-AUG-92 0%

MEGA M 030011 - SP P
 0048821276 - 25-AUG-03 5%

CASMAN CHK 010099 - B -
 0045927167 - 26-OCT-01 0%

Selection value	CALVING EASE		MILK	CALF GRWTH.	MAINTENANCE	GROWTH TEST					FERTILITY			COW VALUE	GROWTH VALUE	PRODUCTION VALUE
	☆☆☆	☆☆☆	☆☆☆	☆☆☆	☆☆☆	ADG	Kleiber	FCR	Length	Height	SC	AFC	ICP			
	98 ₄₅	102 ₄₆	109 ₆₉	100 ₁₆									93 ₂₈			
Birth wght	Birth Mat	Milk	Wean wght	Post wean	Mature wght											
97	101	102	109	107	100	100	98	-	99	96	103	91	95	107 ₃₉	-	-
0.98 ₄₆	0.1 ₃₈	2.7 ₄₆	7.4 ₆₉	11.3 ₅₂	9 ₁₆	98 ₅	21 ₅	-	24 ₁₂	11 ₁₄	14 ₁₅	6.1 ₃₈	-0.8 ₁₇	In Vitro		
			163 (106)	194 (91)	230 (93)									Flushings/Embrios/Calves: 0/0/0		
														Tests: BM en TB		
Remarks: Rooi, scurs														Vacc. Supavax, Hjrprabovis 4, RB51, Maart 2017 - Knopvel en Slenkdal		

LOT 42

0480068, M. VAN NIEKERK, POSBUS 110259, HADISON PARK, 8306, (T)0832698443



Naam Ident. nommer Geslag Afdeling Reg. nommer Geboorte Datum
GANNA **GA 150284** **VROULIK** **BS** **0085764496** **31-DEC-15**

GA 150284

DNS: C17-12030

GANNA GA 150284 - BS -
 0085764496 - 31-DEC-15 0%

OEK - TKP -
 RI -
 Oud. / Kalwers 2j. 0md. / -
 Gem SI/Kalf: / 0
 KALWINGS

GREAT KAROO XY 090013 - SP P
 0069771426 - 09-SEP-09 5%

Gem SI/Kalf: -

HBH HBH 061018 - SP P
 0063656821 - 03-NOV-06 4%

GREAT KAROO XY 060018 - SP -
 0063203061 - 11-JUL-06 5%

OEK 27.1 TKP 405
 RI 112 Gem SI/Kalf: 97 / 3
 Oud. / Kalwers 6j. 4md. / 4

Gem SI/Kalf: -

NONNIE CR 010028 - SP P
 0044861573 - 13-AUG-01 5%

HBH HBH 020686 - SP -
 0046849956 - 06-NOV-02 2%

BLOMVLEI SW 990015 - SP -
 0042452524 - 28-SEP-99 3%

GREAT KAROO XY 020002 - SP -
 0047234265 - 08-OCT-02 8%

Seleksie waarde	KALF GEMAK		MELK	KALFGROEI	ONDERHOUD	GROEI TOETS					VRUGBAARHEID			KOEI WAARDE	GROEI WAARDE	PRODUKSIE WAARDE
	☆☆	☆☆	☆☆☆☆	☆☆☆☆	☆☆	GDT	Kleiber	VOV	Lengte	Hoogte	SO	OEK	TKP			
	78 ₄₁	110 ₂₉	115 ₃₉	85 ₁₈									95 ₂₀			
Geb gew	Geb Mat	Melk	Speen gew	Naspeen	Volw. gewig											
79	96	110	115	117	115	122	119	-	122	122	110	116	90		☆☆☆☆	-
2.57 ₄₂	0.28 ₂₉	4.8 ₂₉	10 ₃₉	16.8 ₂₈	25 ₁₈	165 ₂₉	47 ₂₉	-	44 ₃₃	26 ₃₅	17.4 ₃₄	14.5 ₂₅	0.3 ₁₄	In Vitro		
			- (-)	-	- (-)									Spoeings/Embrios/Kalwers: 0/0/0		
Opmerkings: Oop vers, Onthoring, Rooi														Toetse: BM en TB		
														Inent. Supavax, Respiravax		

LOT 43

0480068, M. VAN NIEKERK, POSBUS 110259,HADISON PARK,8306,(T)0832698443



Name Ident. number Sex Section Reg. number Birth Date
DONKERHOEK DKH 120073 FEMALE SP 0076099472 09-OCT-12

DKH 120073

DNA: -

DONKERHOEK DKH 120073 - SP H
 0076099472 - 09-OCT-12 14%

AFC 36.4 ICP 390
 RI 96
 Age / Calves 5j. 3md. / 2
 Avg. Wt/Calv: 102 / 2
 CALVINGS
 10/15 ,11/16

GREAT KAROO XY 090035 - SP P
 0070192372 - 28-OCT-09 5%

BUROWILL ASE 080030 - SP H
 0067611913 - 01-NOV-08 5%

AFC 35.6 ICP 373
 RI 107 Avg. Wt/Calv: 116 / 5
 Age / Calves 9j. 2md. / 6

BUROWILL ASE 010040 - SP -
 0045265808 - 04-OCT-01 8%

LARYN JM 000038 - SP -
 0043913847 - 07-NOV-00 8%

AFC 35 ICP 445
 RI 97 Avg. Wt/Calv: 103 / 6
 Age / Calves 17j. 1md. / 10

HBH HBH 000534 - SP -
 0044336873 - 22-NOV-00 6%

- ASE 030051 - B PP
 0047962733 - 07-SEP-03 23%

AFC 27.3 ICP 401
 RI 110 Avg. Wt/Calv: 92 / 9
 Age / Calves 11j. 9md. / 9

ZW BOOMERANG BG 960092 - SP -
 0043293224 - 30-OCT-96 9%

BLOMVLEI SW 980050 - SP -
 0041414244 - 15-NOV-98 6%

SIGIDI HKL 930018 - SP -
 0034385674 - 20-OCT-93 21%

LARYN JM 950069 - SP -
 0035090281 - 31-DEC-95 7%

- J 960151 - SP -
 0041181702 - 20-AUG-96 12%

HBH HBH 960155 - B -
 0037557014 - 04-OCT-96 4%

BUROWILL ASE 010040 - SP -
 0045265808 - 04-OCT-01 8%

BUROWILL ASE 010020 - A -
 0044554061 - 26-FEB-01 27%

Selection value	CALVING EASE ★★★★		MILK ★★★★		CALF GRWTH. ★★★		MAINTENANCE ★★		GROWTH TEST					FERTILITY ★★★			COW VALUE ★★★★	GROWTH VALUE ★★	PRODUCTION VALUE ★★★★
	110 ₇₈	115 ₆₉	90 ₇₇	88 ₃₉	ADG	Kleiber	FCR	Length	Height	SC	AFC	ICP	99 ₃₂						
Birth wght	109	102	115	90	96	112	85	76	-	98	93	93	103	98	106 ₅₂	86 ₃₉	103 ₄₉		
Birth Mat	.02 ₇₉	.08 ₆₇	6.3 ₆₉	.5 ₇₇	5.3 ₆₅	22 ₃₉	53 ₃₅	-7 ₃₅	-	23 ₄₁	9 ₄₃	9.8 ₄₂	-3.9 ₄₃	-1.5 ₂₁	In Vitro				
Weight/Index	32			229 (100)	250 (110)	315 (95)		-	-	-	-	-	-	-	Flushings/Embrios/Calves: 0/0/0 Tests: BM en TB				
Remarks: Op 15/12/2017 4 Maande dragtig van W9/25. Poenskap, geel																Vacc. Supavax, Respiravax			

LOT 44

0480068, M. VAN NIEKERK, POSBUS 110259,HADISON PARK,8306,(T)0832698443



Naam Ident. nommer Geslag Afdeling Reg. nommer Geboorte Datum
BLOMVLEI SW 150007 VROULIK SP 0082025008 19-MAY-15

SW 150007

DNS: P658/16

BLOMVLEI SW 150007 - SP P
 0082025008 - 19-MAY-15 9%

OEK - TKP -
 RI -
 Oud. / Kalwers 2j. 8md. / -
 Gem SI/Kalf: / 0
 KALWINGS

BLOMVLEI SW 100052 - SP P
 0071976781 - 03-NOV-10 4%

BLOMVLEI SW 090030 - SP -
 0069362879 - 13-SEP-09 4%

OEK 36.9 TKP 476
 RI 89 Gem SI/Kalf: 104 / 3
 Oud. / Kalwers 8j. 2md. / 3

BLOMVLEI SW 070050 - B P
 0065616161 - 22-SEP-07 1%

BLOMVLEI SW 050015 - SP P
 0060017902 - 10-APR-05 5%

OEK 36 TKP 430
 RI 97 Gem SI/Kalf: 99 / 4
 Oud. / Kalwers 7j. 6md. / 4

MEGA M 030004 - SP P
 0048821201 - 23-FEB-03 10%

BLOMVLEI SW 060044 - B H
 0063613467 - 24-SEP-06 2%

OEK 35.6 TKP 388
 RI 101 Gem SI/Kalf: 99 / 3
 Oud. / Kalwers 5j. 11md. / 3

MEGA M 040002 - SP P
 0048821524 - 14-MAR-04 5%

BLOMVLEI SW 040075 - A H
 0049135528 - 07-OCT-04 0%

NONNIE CR 010015 - SP P
 0044826162 - 25-JUL-01 12%

BLOMVLEI SW 960004 - SP -
 0037212685 - 25-OCT-96 3%

ZW BOOMERANG BG 940025 - SP -
 0036749745 - 04-OCT-94 3%

ZW BOOMERANG BG 980107 - SP -
 0044845782 - 07-NOV-98 3%

NONNIE CR 010015 - SP P
 0044826162 - 25-JUL-01 12%

BUROWILL ASE 990056 - A -
 0042514505 - 24-OCT-99 0%

Seleksie waarde	KALF GEMAK ★★		MELK ★★★★		KALFGROEI ★★★		ONDERHOUD ★★★★		GROEI TOETS					VRUGBAARHEID ★★★			KOEI WAARDE ★★★★	GROEI WAARDE - . .	PRODUKSIE WAARDE - . .
	88 ₇₀	111 ₄₃	96 ₇₀	110 ₂₂	GDT	Kleiber	VOV	Lengte	Hoogte	SO	OEK	TKP	99 ₂₂						
Geb gew	88	99	111	96	98	90	-	-	-	-	-	-	-	92	102	97 ₃₉	- . .	- . .	
Geb Mat	1.75 ₇₃	.17 ₄₃	5.2 ₄₃	2.7 ₇₀	6.4 ₄₈	-2 ₂₂	-	-	-	-	-	-	-	4.6 ₃₃	-2.2 ₁₀	In Vitro			
Melk																Spoelings/Embrios/Kalwers: 0/0/0 Toetse: BM en TB			
Speen gew				171 (101)	-	-	-	-	-	-	-	-	-	-	-	Inent. Supavax, Respiravax			
Naspeen																			
Volw. gewig																			
Opmerkings: Op 15/12/2017 4 Maande dragtig van W9/25. Poenskap, geel																			

LOT 45

0480068, M. VAN NIEKERK, POSBUS 110259, HADISON PARK, 8306, (T)0832698443



Name: **GANNA** Ident. number: **GA 150041** Sex: **FEMALE** Section: **A** Reg. number: **0082946526** Birth Date: **15-DEC-15**

GA 150041

DNA: -

GANNA GA 150041 - A P
0082946526 - 15-DEC-15 0%

AFC - ICP -
RI -
Age / Calves 2j. 1md. / -
Avg. Wl/Calf: / 0
CALVINGS

ALPHA OMEGA AM 080051 - SP -
0067758946 - 29-OCT-08 4%

RITS W 991232 - SP P
0043309285 - 31-DEC-99 11%

NONNIE CR 020058 - B P
0046637880 - 15-OCT-02 4%

AFC 25.8 ICP 362
RI 118 Avg. Wl/Calf: 98 / 10
Age / Calves 13j. 5md. / 12

---- -
--- -%

- GH 020114 - BS -
0074119454 - 15-OCT-02 0%

AFC - ICP 366
RI 116 Avg. Wl/Calf: 82 / 4
Age / Calves 15j. 3md. / 6

---- -
--- -%

Avg. Wl/Calf: -

SIGIDI HKL 950022 - SP -
0038230934 - 02-NOV-95 19%

RITS W 960071 - SP -
0038159448 - 30-JUN-96 6%

ZW BOOMERANG BG 960092 - SP -
0043293224 - 30-OCT-96 9%

BUROWILL ASE 990019 - A -
0042300368 - 14-JUN-99 0%

---- -
--- -%

---- -
--- -%

---- -
--- -%

---- -
--- -%

---- -
--- -%

Selection value	CALVING EASE		MILK	CALF GRWTH.	MAINTENANCE	GROWTH TEST						FERTILITY			COW VALUE	GROWTH VALUE	PRODUCTION VALUE
	★★★★	★★★	★★	★	★★★★	ADG	Kleiber	FCR	Length	Height	SC	AFC	ICP	★			
	122 ₇₁		71 ₅₁	69 ₆₉	115 ₂₂								91 ₂₄				
Birth wght	132	105	71	69	72	85	71	75	-	70	66	63	111	87	68 ₄₁	81 ₃₁	68 ₃₉
Birth Mat																	
Breeding value index	-2.02 ₇₃	-0.05 ₅₃	-6.5 ₅₁	-7.4 ₆₉	-7.8 ₂₉	-7 ₂₂	10 ₂₉	-7 ₂₉	-	-1 ₃₃	-6 ₃₅	-2.9 ₃₄	-10.6 ₃₂	.9 ₁₆	In Vitro		
Breeding value															Flushings/Embrios/Calves: 0/0/0		
Weights/Index	28			163 (79)	-	- (-)									Tests: BM en TB		
Remarks:	Oop vers, Donker geel														Vacc. Supavax, Respiravax		

LOT 46

0480068, M. VAN NIEKERK, POSBUS 110259, HADISON PARK, 8306, (T)0832698443



Naam: **GANNA** Ident. nommer: **GA 150266** Geslag: **VROULIK** Afdeling: **BS** Reg. nommer: **0085764504** Geboorte Datum: **09-NOV-15**

GA 150266

DNS: C17-12031

GANNA GA 150266 - BS -
0085764504 - 09-NOV-15 0%

OEK - TKP -
RI -
Oud. / Kalwers 2j. 2md. / -
Gem SI/Kalf: / 0
KALWINGS

GREAT KAROO XY 090033 - SP P
0070192356 - 28-OCT-09 7%

BUROWILL ASE 010040 - SP -
0045265808 - 04-OCT-01 8%

GENERAALSDRAAI H 000029 - SP -
0044398576 - 18-OCT-00 20%

OEK 34.1 TKP 373
RI 111 Gem SI/Kalf: 104 / 7
Oud. / Kalwers 14j. 2md. / 12

---- -
--- -%

---- -
--- -%

Gem SI/Kalf: -

---- -
--- -%

Gem SI/Kalf: -

ZW BOOMERANG BG 960092 - SP -
0043293224 - 30-OCT-96 9%

BLOMVLEI SW 980050 - SP -
0041414244 - 15-NOV-98 6%

GENERAALSDRAAI H 960017 - SP -
0037667904 - 01-OCT-96 8%

GENERAALSDRAAI H 940063 - SP -
0033580234 - 11-DEC-94 7%

---- -
--- -%

---- -
--- -%

---- -
--- -%

---- -
--- -%

---- -
--- -%

Seleksie waarde	KALF GEMAK		MELK	KALFGROEI	ONDERHOUD	GROEI TOETS						VRUGBAARHEID			KOEI WAARDE	GROEI WAARDE	PRODUKSIE WAARDE
	★★★	★★	★★★	★★	★★★	GDT	Kleiber	VOV	Lengte	Hoogte	SO	OEK	TKP	★★★			
	107 ₄₃		111 ₃₃	93 ₄₂	108 ₁₆								98 ₂₂				
Geb gew	108	90	111	93	96	92	117	126	-	109	107	110	127	90			
Geb Mat																	
Melk	.06 ₄₄	.5 ₃₄	5.3 ₃₃	1.7 ₄₂	5.4 ₃₀	0 ₁₆	151 ₃₀	57 ₃₀	-	33 ₃₃	18 ₃₅	17.4 ₃₅	23.6 ₂₇	.3 ₁₆	In Vitro		
Speen gew															Spoelings/Embrios/Kalwers: 0/0/0		
Naspeen															Toetse: BM en TB		
Volw. gewig															Inent. Supavax, Respiravax		
Gewig/Index																	
Opmerkings:	Oop vers, Poenskop, geel																

LOT 47

0480068, M. VAN NIEKERK, POSBUS 110259, HADISON PARK, 8306, (T)0832698443



Name: **GANNA** Ident. number: **GA 160064** Sex: **FEMALE** Section: **A** Reg. number: **0085637833** Birth Date: **24-MAY-16**

GA 160064

DNA: -

GANNA GA 160064 - A -
0085637833 - 24-MAY-16 9%

AFC - ICP -
RI -
Age / Calves 1j. 8md. / -
Avg. WI/Calv: / 0
CALVINGS

GREAT KAROO XY 090033 - SP P
0070192356 - 28-OCT-09 7%

GANNA GA 120243 - BS -
0080351299 - 10-DEC-12 0%

AFC - ICP 476
RI 91 Avg. WI/Calv: 107 / 2
Age / Calves 4j. 7md. / 2

BUROWILL ASE 010040 - SP -
0045265808 - 04-OCT-01 8%

GENERAALSDRAAI H 000029 - SP -
0044398576 - 18-OCT-00 20%

AFC 34.1 ICP 373
RI 111 Avg. WI/Calv: 104 / 7
Age / Calves 14j. 2md. / 12

GREAT KAROO XY 090063 - SP P
0070192745 - 27-NOV-09 4%

ZW BOOMERANG BG 960092 - SP -
0043293224 - 30-OCT-96 9%

BLOMVLEI SW 980050 - SP -
0041414244 - 15-NOV-98 6%

GENERAALSDRAAI H 960017 - SP -
0037667904 - 01-OCT-96 8%

GENERAALSDRAAI H 940063 - SP -
0033580234 - 11-DEC-94 7%

BUROWILL ASE 010040 - SP -
0045265808 - 04-OCT-01 8%

GREAT KAROO XY 060034 - B -
0063872832 - 13-NOV-06 3%

---- -
--- -%

---- -
--- -%

Avg. WI/Calv: -

Selection value	CALVING EASE		MILK	CALF GRWTH.	MAINTENANCE	GROWTH TEST						FERTILITY			COW VALUE	GROWTH VALUE	PRODUCTION VALUE
	★★★	★★★	★★★	★★☆	★★★							★★★					
	103 ₆₄		106 ₄₀	97 ₄₈	105 ₁₃								104 ₁₇				
Birth wght	Birth Mat	Milk	Wean wght	Post wean	Mature wght	ADG	Kleiber	FCR	Length	Height	SC	AFC	ICP	★★★	★★☆	★★★	
104	89	106	97	98	95	108	113	-	102	98	105	119	98	106 ₂₉	91 ₃₂	103 ₃₀	
Breeding value index	.43 ₆₆	.52 ₄₃	3.8 ₄₀	3 ₄₈	6.3 ₃₁	4 ₁₃	121 ₂₉	41 ₂₉	-	27 ₃₂	12 ₃₄	15.3 ₃₃	17.2 ₂₇	-1.5 ₇	In Vitro		
Breeding value														Flushings/Embrios/Calves: 0/0/0			
Weights/Index	40			205 (100)	-	-	-	-	-	-	-	-	-	Tests: BM en TB			
Remarks:	Oop vers, Poenskop, Rooi														Vacc. Supavax, Respiravax		

LOT 48

0480068, M. VAN NIEKERK, POSBUS 110259, HADISON PARK, 8306, (T)0832698443



Naam: **GANNA** Ident. nommer: **GA 150267** Geslag: **VROULIK** Afdeling: **BS** Reg. nommer: **0085764579** Geboorte Datum: **09-NOV-15**

GA 150267

DNS: C17-12018

GANNA GA 150267 - BS -
0085764579 - 09-NOV-15 0%

OEK - TKP -
RI -
Oud. / Kalwers 2j. 2md. / -
Gem SI/Kalf: / 0
KALWINGS

GREAT KAROO XY 090063 - SP P
0070192745 - 27-NOV-09 4%

---- -
--- -%

Gem SI/Kalf: -

BUROWILL ASE 010040 - SP -
0045265808 - 04-OCT-01 8%

GREAT KAROO XY 060034 - B -
0063872832 - 13-NOV-06 3%

OEK 26.1 TKP 352
RI 120 Gem SI/Kalf: 94 / 4
Oud. / Kalwers 11j. 1md. / 7

---- -
--- -%

---- -
--- -%

Gem SI/Kalf: -

ZW BOOMERANG BG 960092 - SP -
0043293224 - 30-OCT-96 9%

BLOMVLEI SW 980050 - SP -
0041414244 - 15-NOV-98 6%

GENERAALSDRAAI H 000036 - SP -
0044438521 - 23-OCT-00 4%

GREAT KAROO XY 030020 - A -
0047962535 - 07-OCT-03 0%

---- -
--- -%

---- -
--- -%

---- -
--- -%

---- -
--- -%

---- -
--- -%

Seleksie waarde	KALF GEMAK		MELK	KALFGROEI	ONDERHOUD		GROEI TOETS						VRUGBAARHEID			KOEI WAARDE	GROEI WAARDE	PRODUKSIE WAARDE
	★★★	★★★	★★★	★★☆	★★★								★★★					
	108 ₄₀		108 ₃₂	92 ₃₉	108 ₁₇									96 ₂₂				
Geb gew	Geb Mat	Melk	Speen gew	Naspeen	Volw. gewig	GDT	Kleiber	VOV	Lengte	Hoogte	SO	OEK	TKP					
108	100	108	92	91	92	109	106	-	112	109	107	123	88			★★★		
Teeltwaarde index	.09 ₄₁	.14 ₃₅	4.4 ₃₂	1.4 ₃₉	2.7 ₂₉	0 ₁₇	124 ₃₀	32 ₃₀	-	35 ₂₃	18 ₂₄	15.8 ₂₄	20.2 ₂₈	.7 ₁₅	In Vitro			
Teeltwaarde														Spoelings/Embrios/Kalwers: 0/0/0				
Gewig/Index				- (-)	-	- (-)								Toetse: BM en TB				
Opmerkings:	Met verskalf van XY9/33. Poenskop, Rooi														Inent. Supavax, Respiravax			

LOT 49

0480068, M. VAN NIEKERK, POSBUS 110259, HADISON PARK, 8306, (T)0832698443



Name: **GANNA** Ident. number: **GA 150435** Sex: **FEMALE** Section: **BS** Reg. number: **0084022169** Birth Date: **30-JAN-15**

GA 150435

DNA: -

GANNA GA 150435 - BS
0084022169 - 30-JAN-15 0%

AFC - ICP -
RI -
Age / Calves 2j. 11md. / -
Avg. WI/Calf: / 0
CALVINGS
-

NONNIE CR 070034 - SP P
0064821648 - 28-JUN-07 8%

LANGLYF R 040037 - SP SC
0049771645 - 03-SEP-04 6%

NONNIE CR 050004 - SP
0049585979 - 26-JAN-05 15%

AFC 29 ICP 442
RI 103 Avg. WI/Calf: 94 / 5
Age / Calves 8j. 11md. / 6

---- -
--- -%

---- -
--- -%

---- -
--- -%

---- -
--- -%

Avg. WI/Calf:-

Avg. WI/Calf: -

LANGLYF R 010014 - SP
0045469970 - 22-AUG-01 5%

LANGLYF R 990008 - SP
0042678433 - 24-AUG-99 5%

NONNIE CR 960004 - SP
0036882744 - 29-JUL-96 7%

NONNIE CR 020054 - SP SC
0046637781 - 10-OCT-02 11%

---- -
--- -%

---- -
--- -%

---- -
--- -%

---- -
--- -%

---- -
--- -%

Selection value	CALVING EASE ☆☆☆		MILK ☆☆☆		CALF GRWTH. ☆☆☆☆		MAINTENANCE ☆☆☆		GROWTH TEST					FERTILITY ☆☆☆			COW VALUE	GROWTH VALUE	PRODUCTION VALUE
	91 ₄₂	105 ₂₇	111 ₄₀	103 ₁₁						95 ₁₈									
Birth wght	Birth Mat	Milk	Wean wght	Post wean	Mature wght	ADG	Kleiber	FCR	Length	Height	SC	AFC	ICP						
90	109	105	111	111	97	117	114	-	117	120	114	104	94	-	-	-	-	-	
1.59 ₄₃	-17 ₃₁	3.5 ₂₇	8.2 ₄₀	13.7 ₂₆	5 ₁₁	148 ₁₀	41 ₁₀	-	40 ₁₃	25 ₁₄	19 ₁₄	-4.4 ₂₆	-6 ₁₁	In Vitro					
37			210 (100)	-	- (-)									Flushings/Embrios/Calves: 0/0/0 Tests: BM en TB					
Remarks: Op 15/12/2017 6 Maande dragtig van XY9/33. Poenskop, Donker rooi														Vacc. Supavax, Respiravax					

LOT 50

0480068, M. VAN NIEKERK, POSBUS 110259, HADISON PARK, 8306, (T)0832698443



Naam: **GANNA** Ident. nommer: **GA 150113** Geslag: **VROULIK** Afdeling: **B** Reg. nommer: **0082951054** Geboorte Datum: **25-NOV-15**

GA 150113

DNS: -

GANNA GA 150113 - B P
0082951054 - 25-NOV-15 7%

OEK - TKP -
RI -
Oud. / Kalwers 2j. 2md. / -
Gem SI/Kalf: / 0
KALWINGS
-

RITS W 090025 - SP SC
0069541712 - 16-OCT-09 8%

LANGLYF R 030012 - SP
0047331822 - 12-MAY-03 7%

RITS W 060053 - SP PH
0063969059 - 26-NOV-06 8%

OEK 34.7 TKP 377
RI 108 Gem SI/Kalf: 101 / 5
Oud. / Kalwers 10j. 5md. / 7

NONNIE CR 010032 - SP SC
0045174513 - 23-AUG-01 7%

WEST FRONT WF 050006 - A
0061781126 - 24-JUL-05 0%

OEK 27.4 TKP 406
RI 109 Gem SI/Kalf: 107 / 6
Oud. / Kalwers 12j. 6md. / 10

FORDOUN FT 940031 - A
0040237877 - 20-AUG-94 0%

OEK - TKP 452
RI 96 Gem SI/Kalf: 97 / 4
Oud. / Kalwers 13j. 5md. / 9

NONNIE CR 960004 - SP
0036882744 - 29-JUL-96 7%

LANGLYF R 970060 - SP
0039176201 - 01-NOV-97 6%

LARYN JM 960055 - SP
0037249547 - 10-NOV-96 7%

RITS W 000054 - SP
0044657062 - 21-JAN-00 6%

NONNIE CR 960004 - SP
0036882744 - 29-JUL-96 7%

NONNIE CR 980033 - SP
0040477572 - 20-AUG-98 5%

---- -
--- -%

---- -
--- -%

Seleksie waarde	KALF GEMAK ☆☆☆		MELK ☆☆☆		KALFGROEI ☆☆☆		ONDERHOUD ☆☆☆		GROEI TOETS					VRUGBAARHEID ☆☆☆			KOEI WAARDE	GROEI WAARDE	PRODUKSIE WAARDE
	101 ₇₃	101 ₅₃	100 ₆₉	106 ₁₈						99 ₂₈									
Geb gew	Geb Mat	Melk	Speen gew	Naspeen	Volw. gewig	GDT	Kleiber	VOV	Lengte	Hoogte	SO	OEK	TKP						
102	90	101	100	99	94	100	101	-	100	99	94	92	102	104 ₄₂	100 ₂₀	104 ₃₈			
.55 ₇₅	.49 ₅₅	2.3 ₅₃	4.3 ₆₉	6.9 ₃₀	2 ₁₈	97 ₁₆	25 ₁₈	-	25 ₂₂	13 ₂₄	10.4 ₂₃	5 ₃₈	-2.3 ₁₉	In Vitro					
32			222 (112)	-	- (-)									Spoelings/Embrios/Kalwers: 0/0/0 Toetse: BM en TB					
Opmerkings: Met bulkalf van XY9/33. Poenskop, Donker rooi														Inent. Supavax, Respiravax					